



# Spare Parts Catalog

9 S 1110 TD

ASHOK-LEYLAND - CUMMINS

Material number: 1324.002.027

ZF Friedrichshafen AG

Hauptverwaltung

80038 Friedrichshafen

Deutschland

Telefon: +49 7541 77-0

Telefax: +49 7541 77-908000

[www.zf.com](http://www.zf.com)

zuständiges Werk:

Friedrichshafen

# Notes relating to the spare parts catalog

## Setup of the spare parts catalog

- Cover sheet
- Technical Cover (only in SDM print)
- Overview of figures
- Figure
- Associated parts list
- Next figure
- Associated parts list
- ...

## Figure and parts list



## Overview of figures

Bildtafel Figure	Sachnummer Product number	Benennung (Description)	Technische Info Technical info	Description (Benennung)	Menge Quantity	Einheit Unit
068.08.17	1316.170.001	AUSLEGER	WL	SHIFT TURRET	1	Stk
068.08.06	1316.170.031	DECKEL	WL*H-H *VM	COVER	1	Stk
068.08.14	1316.170.808	DECKEL	WL*AUSL+GEH*H-H*HF160N	COVER	1	Stk
08	1316.170.441	ANSCHLUSSTEILE	WL*NG-VORB*RG-SCHL*168N *BAJONETT	CONNECTING PARTS	1	Stk

The "gap" indicates that there is no separate graphics panel (poster) for this assembly  
The parts of this assembly are shown with the same mid-section number on the figure

### 1 Positions and subpositions

Pos.	Sachnummer Product number	Benennung (Description)	Technische Info Technical info	Description (Benennung)	Menge Quantity	Einheit Unit
0370	1315.201.054	RUECKLAUFBOLZEN	KPL.16S151*SG*L= 79	REV.IDLER SHAFT	1	Stk
/0120	0631.329.293	SPANNSTIFT		SLOT. PIN	1	Stk

Positions marked with "/" are the individual items of a completion  
For example: Position 0370 contains a centering pin with the position /0120

### 2 Combinations with standardized parts

Pos.	Sachnummer Product number	Benennung (Description)	Technische Info Technical info	Description (Benennung)	Menge Quantity	Einheit Unit
0630		VERSCHL.SCHR.		SCREW PLUG	1	Stk
	0636.302.067	VERSCHL.SCHR.		SCREW PLUG	1	Stk
	0634.801.249	DICHTRING	A 26 X 31	SEALING RING	1	Stk

The parts list shows the components included in the combination of standardized parts

### 3 Depiction of position/item number on the figure and in the parts list

01.620 - on the figure      01 relates to the assembly in which the position is included. Due to program-related reasons, it is shown on the figure.

0620 - in the parts list

Pos.	Sachnummer Product number	Benennung (Description)	Technische Info Technical info	Description (Benennung)	Menge Quantity	Einheit Unit
0620	0732.040.736	DRUCKFEDER		COMPRESSION SPRING	1	Stk

### 4 \*-Positions

Positions marked with an \* are optional i.e. inclusion in the parts list is not mandatory.  
The following note is shown on the figure

je nach Stücklistenausführung  
depending on spec. number  
\*  
suivant la nomenclature  
secondo la distinta base

### 5 Parts, dotted display

Parts with dotted display on the figure are only used for orientation of other parts



Pos.	Information	Amendment number
001	Use case -----	
002	Customer Ashok Leyland Ltd	
003	City Chennai	
004	DUNS 91-843-2779	
005	Vehicle / Apparatus -----	
006	Sales Name	
007	Manufacturer Ashok Leyland Ltd	
008	Engineering Name	
009	Product Use TRUCK	
010	Vehicle/Hardware Type DUMPER	
011	SOP	
012	Engine	
013	Sales Designation	
014	Manufacturer Ashok Leyland Ltd	
015	Drivetrain type DIESEL	
016	Eng.Displ. cm3	
017	Cylinder	
018	Nom. power 165 kW	
019	RPM at nom. power 2500 1/min	
020	Nom. torque 800 Nm	
021	RPM at nom. torque 1900 1/min	
022	Classification use case -----	
023	DESIGNATION, CLUTCH 380	
024	MANUFACTURER, CLUTCH GUJART SETCO	
028	REAR AXLE RATIO 6.17	
030	INERTIA TORQUE .08 kg/m2	
032	PERMISS.GROSS VEHICLE WEIGHT 9.6 t	
033	PERMISS.GROSS COMBIN.WEIGHT 25 t	
034	APPROVAL NOTE 1 FIRST FITTING CHECK CARR.OUT	
035	Use case -----	
036	Customer Ashok Leyland Ltd	
037	City Chennai	



Pos.	Information	Amendment number
038	DUNS 91-843-2779	
039	Vehicle / Apparatus -----	
040	Sales Name	
041	Manufacturer Ashok Leyland Ltd	
042	Engineering Name	
043	Product Use TRUCK	
044	Vehicle/Hardware Type TRACTOR	
045	SOP	
046	Engine	
047	Sales Designation	
048	Manufacturer Ashok Leyland Ltd	
049	Drivetrain type DIESEL	
050	Eng.Displ. cm3	
051	Cylinder 6	
052	Nom. power 148 kW	
053	RPM at nom. power 2500 1/min	
054	Nom. torque 680 Nm	
055	RPM at nom. torque 1400 1/min	
056	Classification use case -----	
057	DESIGNATION, CLUTCH 380	
058	MANUFACTURER, CLUTCH GUJART SETCO	
062	REAR AXLE RATIO 6.17	
064	INERTIA TORQUE .08 kg/m2	
066	PERMISS.GROSS VEHICLE WEIGHT 9.6 t	
067	PERMISS.GROSS COMBIN.WEIGHT 25 t	
068	APPROVAL NOTE 1 FIRST FITTING CHECK CARR.OUT	
069	Product description -----	
070	INSTALLATION POS TRANSMISSION HORIZONTAL LEFT	
071	TRANSMISSION ATTACHMENT FLANGE-MOUNTED	
072	RATIO, BOTTOM GEAR 12.73	
073	RATIO, TOP GEAR 1	
074	SET OF RATIOS TD	



Pos.	Information	Amendment number
075	RATIO, 1ST GEAR 12.73	
076	RATIO, 2ND GEAR 8.83	
077	RATIO, 3RD GEAR 6.28	
078	RATIO, 4TH GEAR 4.64	
079	RATIO, 5TH GEAR 3.48	
080	RATIO, 6TH GEAR 2.54	
081	RATIO, 7TH GEAR 1.81	
082	RATIO, 8TH GEAR 1.34	
083	RATIO, 9TH GEAR 1	
084	RATIO, 1ST GEAR REVERSE 12.04	
085	UEBERSETZUNG PLANETENSATZ 3.48	
086	NUMBER OF PLANETARY GEARS 4	
087	DESIGN, SHIFT SYSTEM TURNING SHAFT	
088	POSITION, GEAR SHIFT SYSTEM HORIZONTAL RIGHT	
089	DESIGN, SHIFT PATTERN H-H	
091	VERSION TUBE R/C PLASTIC PIPING	
094	DESIGN, SEPARATING CLUTCH FULL-SYNCHRONIZED	
097	REFERENCE LENGTH INPUT SHAFT 286 mm	
098	STANDARD TYPE INPUT SHAFT SAE	
099	NUMBER OF WEDGES INPUT SHAFT 10	
100	VERSION OF INPUT SHAFT FORM C	
101	DIAMETER, JOURNAL, INPUT SHAFT 17 mm	
102	NOMINAL DIAMETER INPUT SHAFT 1.75 in	
103	TYPE FIT SPIGOTS INPUT SHAFT F7	
104	DIAMETER SHAFT OF INPUT SHAFT 44 mm	
105	BUSH VARIANT INPUT SHAFT WITHOUT GROOVE	
113	DIAMETER, RELEASE FLANGE 57 mm	
114	DICHTKAPPE AUSRUECKLAGERFL y	
115	TYPE FIT RELEASE BEARING FLA. E8	
116	DESIGN BEARING OUTPUT STANDARD SUSPENSION	
118	OUTER DIA. OUTPUT FLANGE RA 180 mm	
120	NO.OF BORES OUTPUT FLANGE HA1 4	



Pos.	Information	Amendment number
121	BORE DIA. OUTPUT FLANGE RA 15 mm	
123	REF. LENGTH OUTPUT FLANGE RA 103 mm	
126	DIMENSION SHIFT TURRET DIST. 248.000 mm	
127	MEAS. LOC. SHIFT TURRET DIST. SHIFT LEVER-LOCATION	
133	RADIUS 1 SHIFT LEVER mm	
134	DESIGN, OFFSET, SHIFT LEVER	
135	LOCATION GEAR SHIFT LEVER TAPER	
137	LEVER POSITION SHIFTING OUTPUT	
138	SHIFT CONNECTION DISTANCE S 95.000 mm	
139	LOCATION SUPPORTING POINT H	
143	ADJUST.DIMENSION DRAW BAR Z mm	
147	GEAR SHIFT LEVER ANGLE EPSILON GRAD	
150	SPRING ARRANGEMENT Q1	
151	NORMENART HOHLFLANSCH HEXAGON SCREW	
152	TOOLING SET OF SPRINGS W311	
153	SPRING FORCE DETENT PLUNGER RG 88.000 N	
155	DESIGN JOINT BALL JOINT NOT SPRING-LOAD	
156	DESIGN ASSEMBLY BALL JOINT JOINT POS.X	
157	SELECTION PATTERN VARIANT GEAR SHIFT PATTERN 1	
160	SWITCH, REVERSE GEAR y	
161	DESIGN, RG (REV.GEAR) SWITCH CLOSING	
162	NOTE ON SWITCH, REVERSE GEAR GEAR SHIFT RAIL	
163	PROT. CAP SWITCH, REVERSE GEAR y	
164	DESIGN, CONNECTION, RG SWITCH DIN BAYONET	
165	LENGTH CONNECTION RG-SWITCH mm	
166	SWITCH, NEUTRAL GEAR n	
167	DESIGN,NG(NEUTRAL GEAR)SWITCH WITHOUT GROOVE	
168	PROT.CAP SWITCH, NEUTRAL GEAR n	
171	FUNCTION OF R/C SWITCH GP	
172	DESIGN, GP SWITCH CLOSING	
173	PROTECTING CAP GP SWITCH y	
174	REF.LENGTH,RELEASE BEAR.FLAN 190 mm	



Pos.	Information	Amendment number
175	DESIGN, CONNECTION, GP SWITCH DIN BAYONET	
176	LAENGE ANSCHLUSS GP-SCHALTER mm	
177	ATTACHED AGRREGATES 1 WITHOUT WSK	
178	ATTACHM.POS.HEAT EXCHANGER WITHOUT GROOVE	
179	VER. TRANSMISSION VENTILATION TUBE	
180	LENGTH, VENT TUBE 2200.000 mm	
182	ATTACHMENT VARIANT, RETARDER WITHOUT GROOVE	
209	DESIGN PULSE SENSOR INPUT WITHOUT GROOVE	
210	PROT.CAP PULSE SENSOR INPUT n	
211	NO. PULSES PULSE SENSOR SFAH68 8 IMP/U	
213	VERSION PULSE SENSOR SFA H68 WITHOUT GROOVE	
215	PROT. CAP PULSE SENSOR SFA H68 n	
218	CABLE LENGTH PULSE SENSOR SFA H68 mm	
219	DESIG,CONN,PULSE SENS. SFA H68	
222	NOTE ON OIL FILL FILL IN OVERFLOW	
223	POSITION, OIL FILLER HOUSING, LH SIDE	
224	OIL CAPACITY, GEARBOX 8.900 dm3	
225	OIL FILL VARIANT WITHOUT GROOVE	
226	OIL GRADE PERMISSIBLE ACC. TO TE-ML02	
228	COLOR NOT	
229	COLOUR CLASSIFICATION ACC. TO RAL	
230	PAINTING, ZF STANDARD	
231	CODING OUTER CONSERVATION KA2	
232	SCOPE OUTER CONSERVATION T	
233	CODING INNER CONSERVATION KI1	
234	CONSERVATION SPECIFICATION ZFN 916	
236	Documents -----	
237	TURN.SHAFT CONT Drawing 1324.149.004	
238	TURN.SHAFT CONT Assembly 1324.149.004	
239	9-SPEED GEARBOX Drawing 1324.001.042	
240	9-SPEED GEARBOX Assembly 1324.001.042	
241	GEARSHIFT SYST. Drawing 1324.172.010	



Pos.	Information	Amendment number
242	GEARSHIFT SYST. Assembly 1324.172.010	
243	KUPPLUNGSGLOCKE Drawing 6060.000.001	
244	TRANSMISSION Drawing 1324.602.003	
245	TRANSMISSION Assembly 1324.602.003	
246	Drawing 1304.172.171	



# Assembly group overview

Material number: 1324.002.027

9 S 1110 TD / ASHOK-LEYLAND - CUMMINS



Page 1 from 2

Graphics	Pos.	Material number	Name	Quantity	Amend. no.	Techn. Info.
062.01.15-1	110	1324.101.067	GEARBOX HOUSING	1		
062.01.84-1	120	1324.101.800	GEARBOX HOUSING	1		
062.01.90-1	122	1304.101.800	CLOSING COMPONENTS	1		
062.02.40-1	140	1324.102.407	CONNPLATE	1		
062.02.81-1	150	1324.102.802	INPUT SHAFT	1		
062.02.07-1	910	1324.102.016	INPUT SHAFT	1		
062.03.81-1	180	1324.103.801	LAYSHAFT	1		
062.03.07-1	920	1324.103.004	LAYSHAFT	1		
062.04.08-1	930	1324.104.005	MAIN SHAFT	1		
062.06.28-1	230	1324.106.013	GEAR SHIFT SYSTEM	1		
062.06.50-1	238	1324.106.409	CONNECTING PARTS	1		
062.07.85-1	282	1324.107.802	GEAR SHIFT HOUSING	1		
062.07.15-1	910	1324.107.007	GEAR SHIFT HOUSING	1		
062.07.56-1	914	1324.107.410	GEAR SHIFT SHAFT	1		
062.08.25-1	926	1324.170.017	SHIFT TURRET	1		
062.08.21-1	930	1324.170.013	COVER	1		
062.08.84-1	934	1324.170.808	COVER	1		
062.12.25-1	922	1324.149.030	SET OF SPRINGS	1		
062.14.13-1	46	1304.122.548	SUPPORT	1		
062.14.00-1	330	1304.122.812	SUPPORT	1		
062.43.09-1	20	1304.131.069	GP HOUSING	1		
062.43.40-1	30	1304.131.400	CLOSING COMPONENTS	1		
062.43.09-1	512	1324.131.800	HOUSING GP	1		
062.44.13-1	40	1324.132.003	PLANETARY DRIVE	1		
062.44.59-1	50	1324.132.402	PLANETARY DRIVE	1		
062.44.13-1	60	1324.132.800	PLANETARY DRIVE	1		
062.45.05-1	70	1324.133.001	SYNCHRONIZER	1		
062.45.05-1	80	1304.133.404	SYNCHRONIZER	1		
062.46.09-1	90	1324.134.004	GP SHIFT SYSTEM	1		
062.46.40-1	554	1304.134.414	CONNECTING PARTS	1		
062.47.02-1	190	1304.135.010	SPEEDOMETER COVER	1		

# Assembly group overview

Material number: 1324.002.027

9 S 1110 TD / ASHOK-LEYLAND - CUMMINS

Page 2 from 2



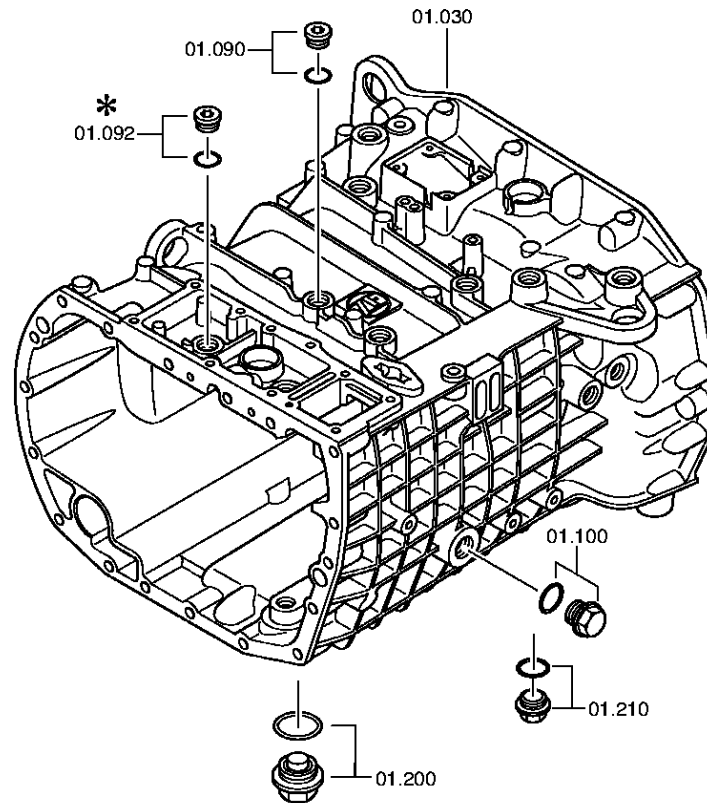
Graphics	Pos.	Material number	Name	Quantity	Amend. no.	Techn. Info.
062.47.02-1	194	1304.135.803	SPEEDOMETER COVER	1		
062.57.02-1	390	1324.145.015	RANGE SELECTION	1		

# Plant

Page 1 from 4

Material number: 1324.002.027  
Plant: 062.01.15-1  
GEARBOX HOUSING

9 S 1110 TD / ASHOK-LEYLAND - CUMMINS  
GEARBOX HOUSING

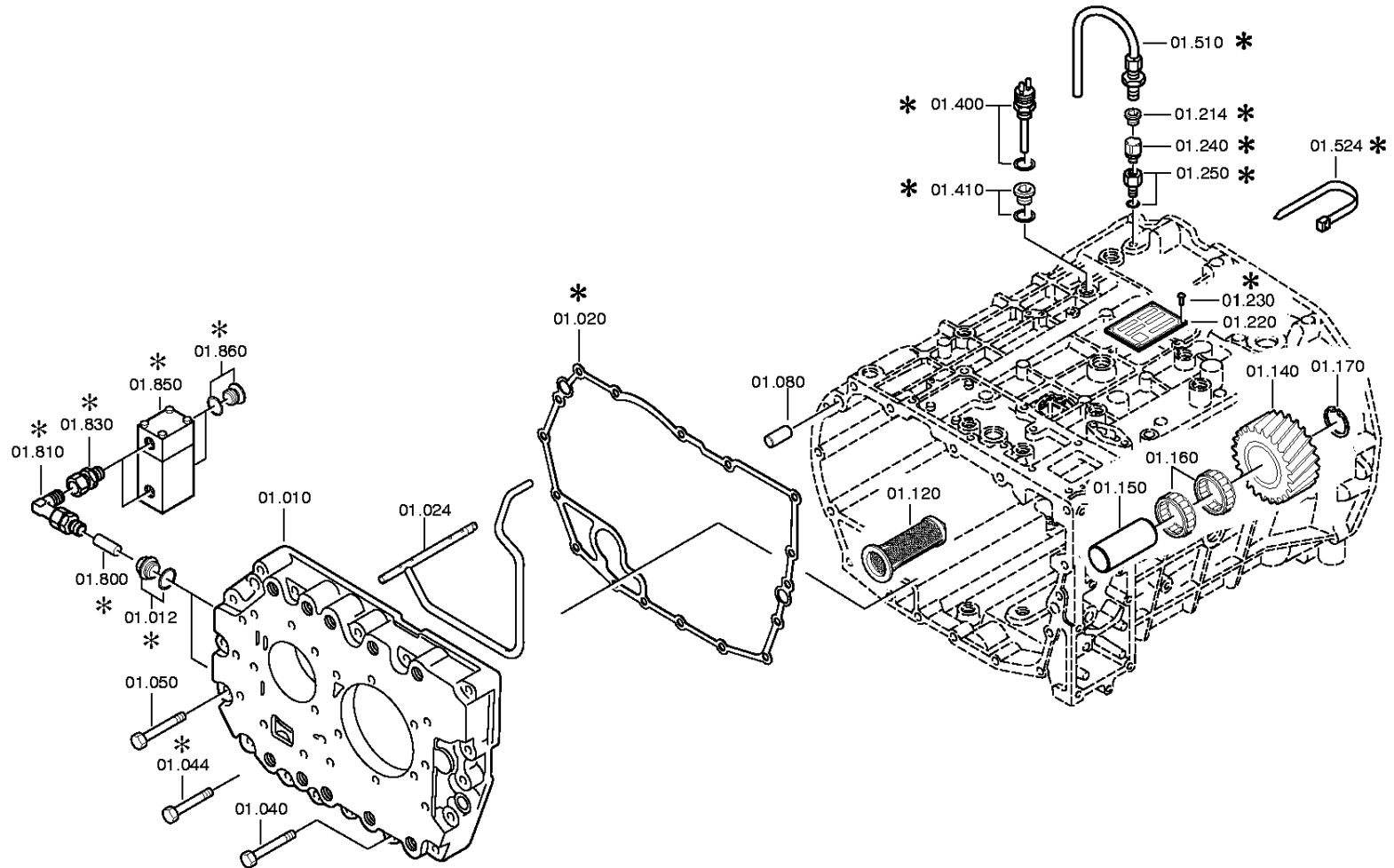


# Plant

Page 2 from 4

Material number: 1324.002.027  
Plant: 062.01.84-1  
GEARBOX HOUSING

9 S 1110 TD / ASHOK-LEYLAND - CUMMINS  
GEARBOX HOUSING

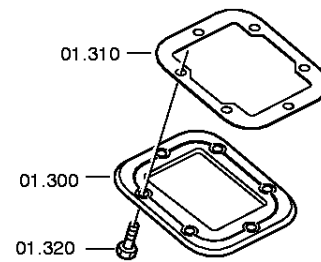
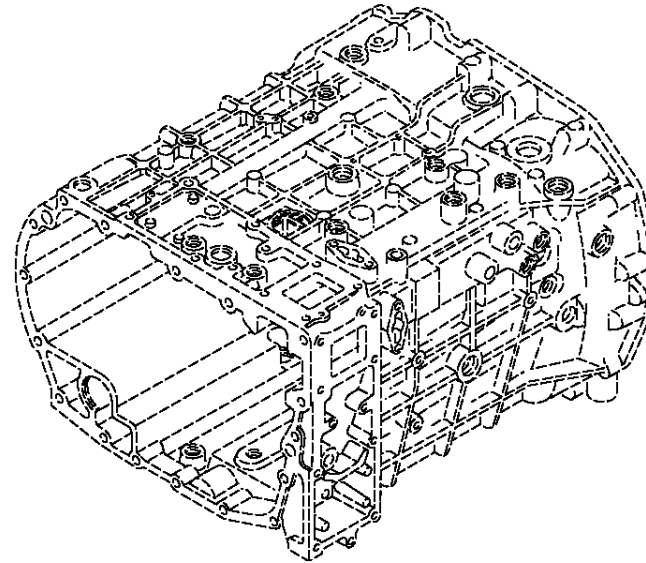


# Plant

Page 3 from 4

Material number: 1324.002.027  
Plant: 062.01.90-1  
GEARBOX HOUSING

9 S 1110 TD / ASHOK-LEYLAND - CUMMINS  
GEARBOX HOUSING

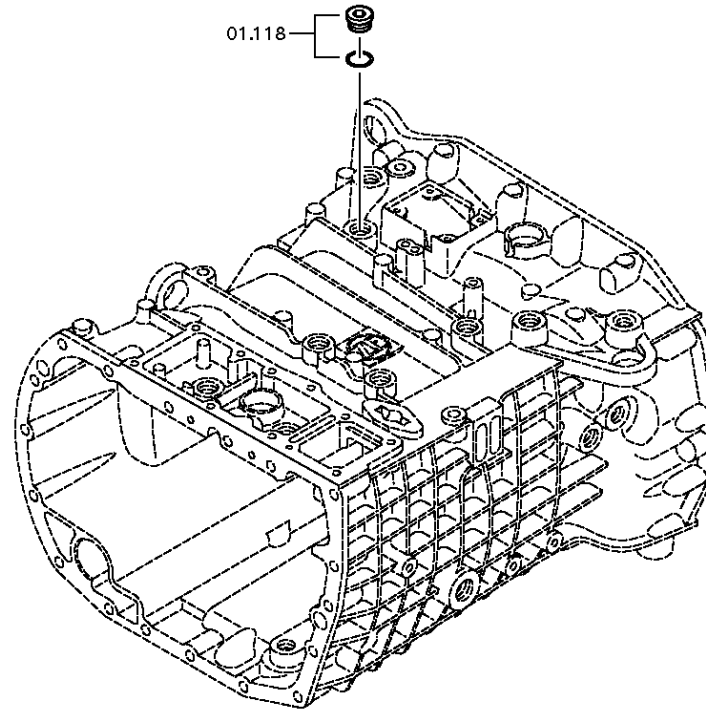


# Plant

Page 4 from 4

Material number: 1324.002.027  
Plant: 062.01.95-1  
GEARBOX HOUSING

9 S 1110 TD / ASHOK-LEYLAND - CUMMINS  
GEARBOX HOUSING



# Parts list

Page 1 from 2

Material number: 1324.002.027

9 S 1110 TD / ASHOK-LEYLAND - CUMMINS

Plant: 062.01.15-1

Material-assembly-group-no: 1324.101.067



Pos.	Material number	Customer material	Name	Quantity	ME	Amend. no.	Techn. Info.	Weight	Rep kit	Alternative material
10	0636.100.791		SCREW PLUG	1		Z00010111521	M18X1,5	0,000		
10	1324.301.169		HOUSING I	1		Z00014535010		0,000		
12	---		SCREW PLUG	2			45N.M*DICHTRING M16X1,5	0,000		
---	0636.100.794		SCREW PLUG	2		Z00010111711	M16X1,5	0,000		
---	0634.801.044		SEALING RING	2			16X20	0,010		
20	0501.321.065		GASKET	1				0,000		
20	0634.801.062		SEALING RING	1		Z00010111521	18X24	0,001		
24	1324.201.019		PIPE	1			KPL.SPRITZROHR UNTENLIEG.	0,000		
30	1324.201.047		HOUSING	1			KPL.SEP.CBH*O. SERVO*DC	0,000		
40	0736.300.123		HEXAGON BOLT	3			M10X70 M10X70	0,000		
50	0736.300.123		HEXAGON BOLT	14			M10X70 M10X70	0,000		
80	0631.306.229		CYLINDRICAL PIN	2			16X36	0,000		
90	---		SCREW PLUG	1		Z00010111513	35N.M*DICHTRING M18X1,5	0,000		
---	0636.100.791		SCREW PLUG	1		Z00010111521	M18X1,5	0,000		
---	0634.801.062		SEALING RING	1		Z00010111521	18X24	0,001		
92	---		SCREW PLUG	1		Z00010111513	35N.M*DICHTRING M18X1,5	0,000		
---	0636.100.791		SCREW PLUG	1		Z00010111521	M18X1,5	0,000		
---	0634.801.062		SEALING RING	1		Z00010111521	18X24	0,001		
100	---		SCREW PLUG	1		Z00010112111	60N.M*DICHTRING M24X1,5	0,000		
---	0636.304.088		SCREW PLUG	1		Z00010112110	M24X1,5	0,000		
---	0730.008.637		SEALING RING	1		Z00010112110	A24X29	0,000		
120	0501.318.802		SCREEN INSERT	1				0,000		
140	1324.305.001		REVERSE IDLER GEAR	1		Z00003789910	9S1110/9S1310	0,000		
150	1304.305.030		PIN	1				0,000		
160	0750.115.974		ROLLER CAGE	2		C01004483F10	40,0X60,0X26,0	0,000		

# Parts list

Page 2 from 2

Material number: 1324.002.027

9 S 1110 TD / ASHOK-LEYLAND - CUMMINS

Plant: 062.01.15-1

Material-assembly-group-no: 1324.101.067



Pos.	Material number	Customer material	Name	Quantity	ME	Amend. no.	Techn. Info.	Weight	Rep kit	Alternative material
/10	0735.358.192		ROLLER CAGE	1			40,0X60,0X26,0 FA.INA	0,000		
/20	0735.358.338		NEEDLE SLEEVE	1			40,0X60,0X26,0 FA.NRB	0,000		
170	0630.502.022		RETAINING RING	1			40X1,75	4,800		
200	---		SCREW PLUG	1		Z00010112212	M38X1,5	0,000		
---	0736.300.272		SCREW PLUG	1		Z00010112215	M38X1,5	0,000		
---	0634.801.321		SEALING RING	1		Z00010112215	38X44	0,001		
210	---		SCREW PLUG	1		Z00010112111	60N.M*DICHTRING M24X1,5	0,000		
---	0636.304.088		SCREW PLUG	1		Z00010112110	M24X1,5	0,000		
---	0730.008.637		SEALING RING	1		Z00010112110	A24X29	0,000		
220	---		TYPE PLATE	1			BOUTHEON	0,000		
---	0730.365.241		TYPE PLATE	1		C01001056E10	EINHEITSSCH. VERDREHSICHER	0,000		
---	0730.365.246		TYPE PLATE	1		C01004699E10	EINHEITSSCH. VERDREHSICHER	0,000		
230	0731.300.027		BLIND RIVET	4		Z00007904810		0,000		
300	1324.301.165		COVER	1		Z00009633112		0,000		
310	1290.301.140		GASKET	1			ENTHALT.IN 1290 301 071(1)	0,000		
320	0636.016.403		HEXAGON BOLT	6		Z00007058114	M10X22	0,000		
510	1315.201.188		PIPE	1			KPL.	0,000		
524	0659.160.068		CABLE CLIP	1				0,000		

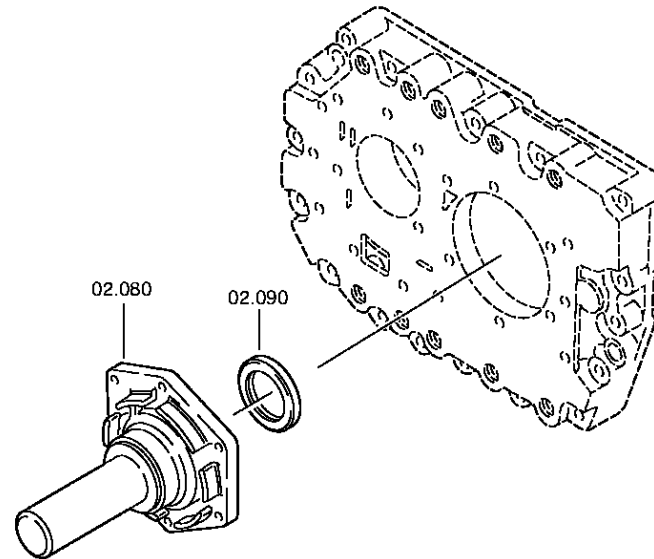


# Plant

Page 1 from 3

Material number: 1324.002.027  
Plant: 062.02.40-1  
INPUT SHAFT

9 S 1110 TD / ASHOK-LEYLAND - CUMMINS  
CONNPLATE

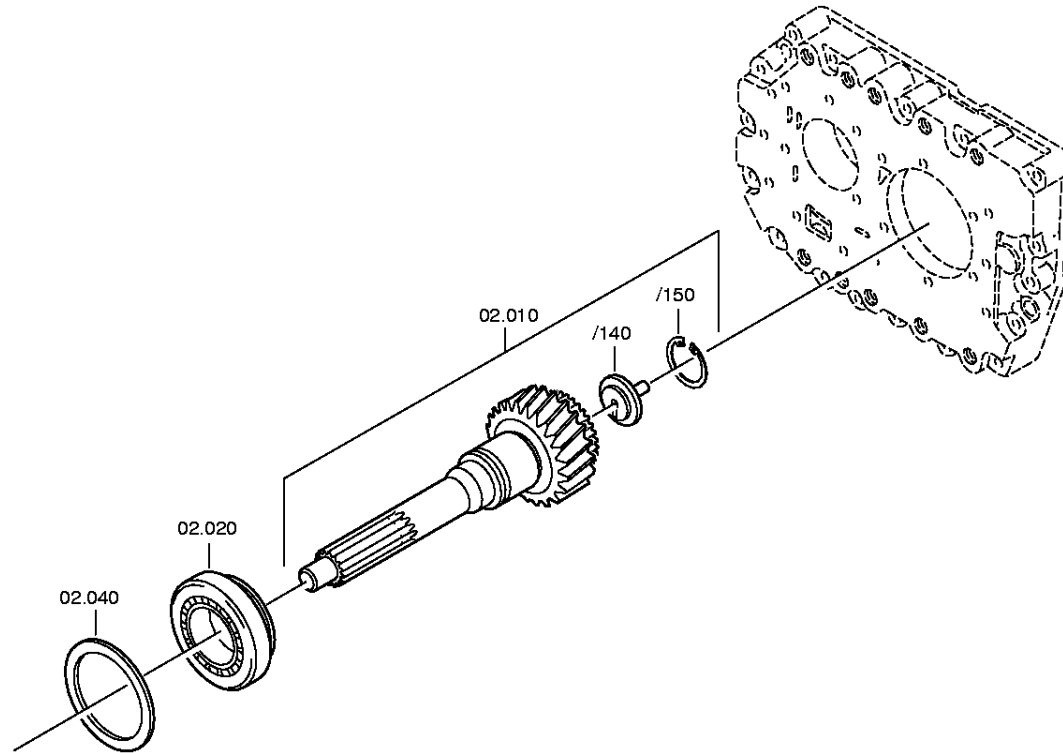


# Plant

Page 2 from 3

Material number: 1324.002.027  
Plant: 062.02.07-1  
INPUT SHAFT

9 S 1110 TD / ASHOK-LEYLAND - CUMMINS  
CONNPLATE

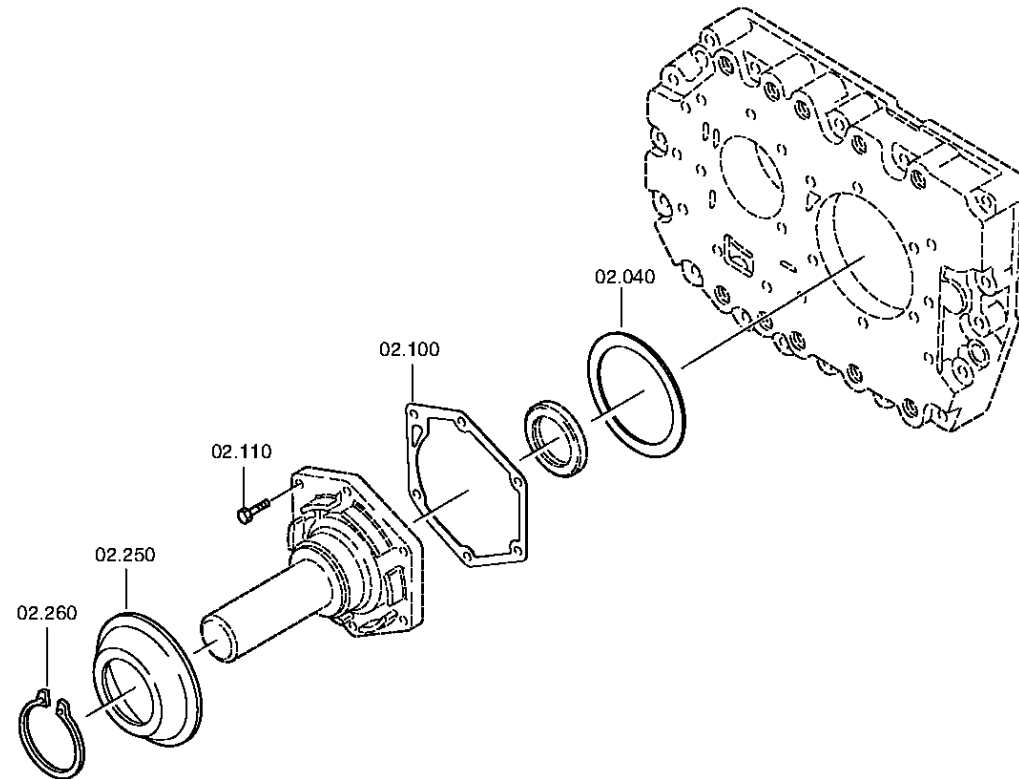


# Plant

Page 3 from 3

Material number: 1324.002.027  
Plant: 062.02.81-1  
INPUT SHAFT

9 S 1110 TD / ASHOK-LEYLAND - CUMMINS  
CONNPLATE



# Parts list

Page 1 from 2

Material number: 1324.002.027

9 S 1110 TD / ASHOK-LEYLAND - CUMMINS

Plant: 062.02.40-1

Material-assembly-group-no: 1324.102.407



Pos.	Material number	Customer material	Name	Quantity	ME	Amend. no.	Techn. Info.	Weight	Rep kit	Alternative material
10	1324.202.022		INPUT SHAFT	1			KPL.HINO	0,000		
/140	1304.302.440		COVER	1				0,000		
/150	0630.502.063		RETAINING RING	1			58X2	10,400		
20	0750.117.518		TAROLLBEARING	1			71,4X120,0X32,5	0,000		
40	---		SHIM	1			H= 1,30- 2,30( ABSTUFUNG:0,05MM)	0,000		
---	0730.005.857		SHIM	1			A=2,30 IN 0730 006 163(2)	0,000		
---	0730.005.856		SHIM	1			A=2,25 IN 0730 006 163(2)	0,000		
---	0730.006.184		SHIM	1			A=2,20 IN 0730 006 163(2)	0,000		
---	0730.006.183		SHIM	1			A=2,15 IN 0730 006 163(2)	0,000		
---	0730.006.182		SHIM	1			A=2,10 IN 0730 006 163(2)	0,000		
---	0730.006.181		SHIM	1			A=2,05 IN 0730 006 163(2)	0,000		
---	0730.006.180		SHIM	1			A=2,00 IN 0730 006 163(2)	0,000		
---	0730.006.179		SHIM	1			A=1,95 IN 0730 006 163(2)	0,000		
---	0730.006.169		SHIM	1			A=1,90 IN 0730 006 163(2)	0,000		
---	0730.006.168		SHIM	1			A=1,85 IN 0730 006 163(2)	0,000		
---	0730.002.654		SHIM	1				47		
---	0730.006.167		SHIM	1			A=1,75 IN 0730 006 163(2)	0,000		
---	0730.002.655		SHIM	1				0,040		
---	0730.006.166		SHIM	1			A=1,65 IN 0730 006 163(2)	0,000		

## Parts list

Page 2 from 2

Material number: 1324.002.027

9 S 1110 TD / ASHOK-LEYLAND - CUMMINS

Plant: 062.02.40-1

Material-assembly-group-no: 1324.102.407



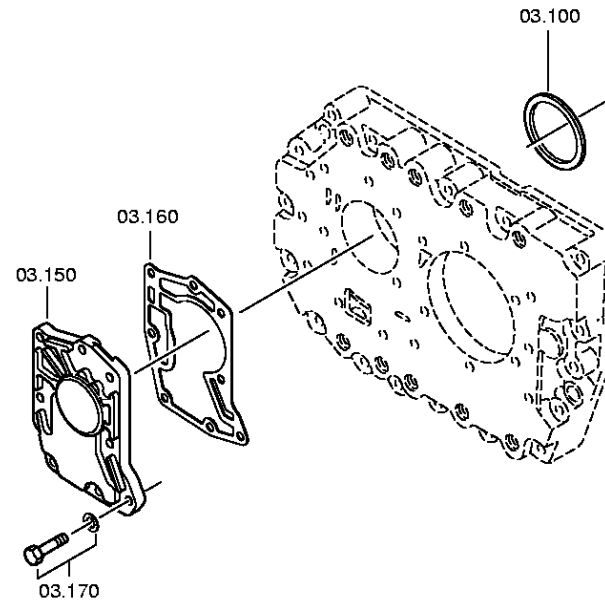
Pos.	Material number	Customer material	Name	Quantity	ME	Amend. no.	Techn. Info.	Weight	Rep kit	Alternative material
---	0730.002.656		SHIM	1				43		
---	0730.006.165		SHIM	1				40		
---	0730.002.657		SHIM	1				39		
---	0730.006.164		SHIM	1				37		
---	0730.002.658		SHIM	1				0,030		
---	0730.007.640		SHIM	1				35		
---	0730.002.659		SHIM	1				29		
80	1324.302.037		CONNPLATE	1			FORCE MOTORS	0,000		
90	0734.310.104		SHAFT SEAL	1			52X68X8 FA.CFW	0,000		
100	0501.322.828		GASKET	1		C01005749F10		0,000		
110	0636.100.797		HEXAGON BOLT	6		Z00007891312	M8X30	0,000		
250	1324.302.191		SEALING CAP	1				0,000		
260	0630.501.051		RETAINING RING	1			82X2,5	28		

# Plant

Page 1 from 2

Material number: 1324.002.027  
Plant: 062.03.81-1  
LAYSHAFT

9 S 1110 TD / ASHOK-LEYLAND - CUMMINS  
LAYSHAFT

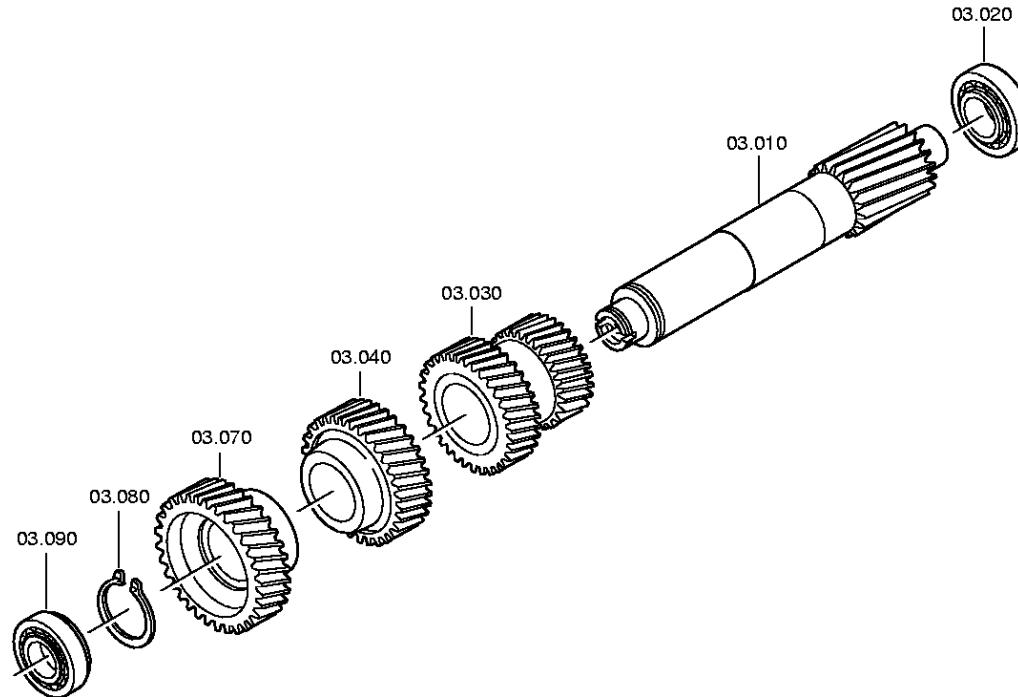


# Plant

Page 2 from 2

Material number: 1324.002.027  
Plant: 062.03.07-1  
LAYSHAFT

9 S 1110 TD / ASHOK-LEYLAND - CUMMINS  
LAYSHAFT



# Parts list

Page 1 from 2

Material number: 1324.002.027

9 S 1110 TD / ASHOK-LEYLAND - CUMMINS

Plant: 062.03.81-1

Material-assembly-group-no: 1324.103.801



Pos.	Material number	Customer material	Name	Quantity	ME	Amend. no.	Techn. Info.	Weight	Rep kit	Alternative material
10	1324.303.001		LAYSHAFT	1				0,000		
20	0750.117.083		TAROLLBEARING	1			50,8X95,2X27,7	0,000		
30	1324.303.015		DOUBLE GEAR	1		C01000220F10	1/2G	0,000		
40	1324.303.018		HELICAL GEAR	1		Z00004550710		0,000		
70	1324.303.007		HELICAL GEAR	1			KONST.	0,000		
80	---		RETAINING RING	1			S= 2,00- 2,60( ABSTUFUNG:0,10MM)	0,000		
---	0630.300.508		RETAINING RING	1			58X2,6	0,000		
---	0630.501.073		RETAINING RING	1			58X2,5	0,000		
---	0630.501.074		RETAINING RING	1			58X2,4	0,000		
---	0630.501.076		RETAINING RING	1			58X2,3	0,000		
---	0630.501.104		RETAINING RING	1			58X2,2	0,000		
---	0630.501.140		RETAINING RING	1			58X2,1	0,000		
---	0630.501.040		RETAINING RING	1			58X2	11		
90	0750.117.881		TAROLLBEARING	1		C01009457E10	40,0X85,0X33,0	0,000		
/10	0735.371.096		TAROLLBEARING	1			40,0X85,0X33,0 FA.SKF	0,000		
/20	0735.371.117		TAROLLBEARING	1			40,0X85,0X33,0 FA.FAG	0,000		
100	---		SHIM	1		Z00013179811	H= 1,50- 2,40( ABSTUFUNG:0,05MM)	0,000		
---	0730.003.436		SHIM	1			A=2,40	0,000		
---	0730.004.737		SHIM	1			A=2,35	0,000		
---	0730.004.736		SHIM	1			A=2,30	0,000		
---	0730.004.735		SHIM	1			A=2,25	0,000		
---	0730.004.734		SHIM	1			A=2,20	0,000		
---	0730.004.733		SHIM	1			A=2,15	0,000		
---	0730.004.732		SHIM	1			A=2,10	0,000		
---	0730.004.731		SHIM	1			A=2,05	0,000		
---	0730.002.934		SHIM	1			A=2,00	0,000		
---	0730.003.435		SHIM	1			A=1,95	0,000		
---	0730.002.935		SHIM	1			A=1,90	0,000		
---	0730.003.434		SHIM	1			A=1,85	0,000		



# Parts list

Page 2 from 2

Material number: 1324.002.027

9 S 1110 TD / ASHOK-LEYLAND - CUMMINS

Plant: 062.03.81-1

Material-assembly-group-no: 1324.103.801



Pos.	Material number	Customer material	Name	Quantity	ME	Amend. no.	Techn. Info.	Weight	Rep kit	Alternative material
---	0730.002.936		SHIM	1			A=1,80	0,000		
---	0730.003.433		SHIM	1			A=1,75	0,000		
---	0730.002.937		SHIM	1			A=1,70	0,000		
---	0730.003.432		SHIM	1			A=1,65	0,000		
---	0730.002.938		SHIM	1			A=1,60	0,000		
---	0730.003.431		SHIM	1			A=1,55	0,000		
---	0730.002.939		SHIM	1			A=1,50	0,000		
150	---		PUMP	1		Z00013179811		0,000		
---	0501.215.228		PUMP	1			KPL.	0,000		
---	0501.215.245		OIL PUMP	1			KPL.F.SEP.KUPPL. GLOCKE E21	0,000		
160	0501.322.829		GASKET	1		Z00013179811		0,000		
170	---		HEXAGON BOLT	8		Z00013179811	M8X30	0,000		
---	0636.100.797		HEXAGON BOLT	8		Z00007891310	M8X30	0,000		
---	0630.100.295		WASHER	8		Z00007158414		0,000		

# Plant

Page 1 from 1

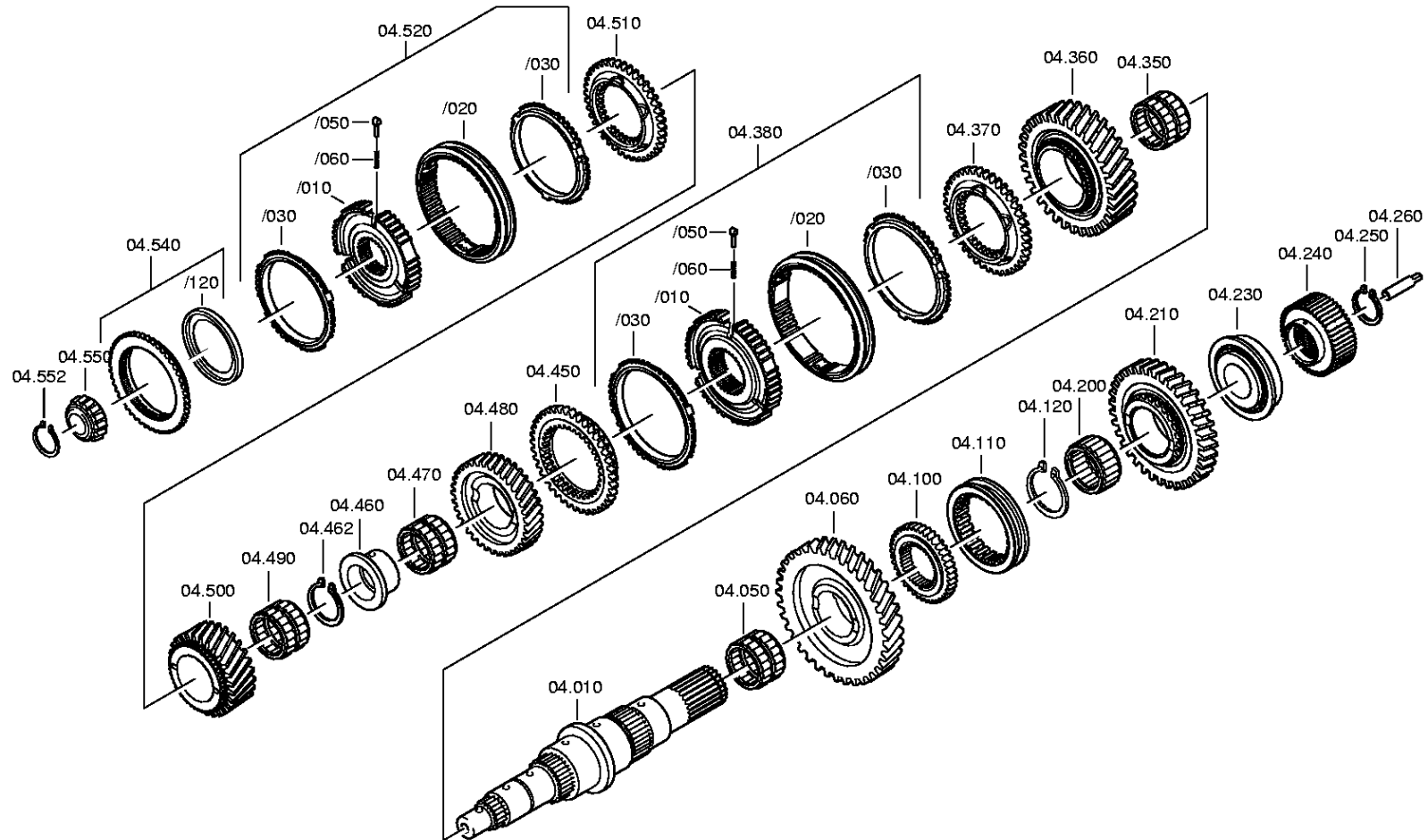
Material number: 1324.002.027

Plant: 062.04.08-1

Material-assembly-group-no: 1324.104.005

9 S 1110 TD / ASHOK-LEYLAND - CUMMINS

MAIN SHAFT



# Parts list

Page 1 from 3

Material number: 1324.002.027

9 S 1110 TD / ASHOK-LEYLAND - CUMMINS

Plant: 062.04.08-1

Material-assembly-group-no: 1324.104.005



Pos.	Material number	Customer material	Name	Quantity	ME	Amend. no.	Techn. Info.	Weight	Rep kit	Alternative material
10	1324.304.005		MAIN SHAFT	1			E21	0,000		
50	0750.115.972		NEEDLE CAGE	1		C01004478F10	CR 75,0X83,0X35,0	0,000		
/10	0735.320.500		NEEDLE CAGE	1			75,0X83,0X35,0	0,180		
/20	0735.321.683		NEEDLE CAGE	1			75,0X83,0X35,0 FA.NRB	0,000		
60	1304.304.543		HELICAL GEAR	1			ENTHALT.IN 1304 304 425(0)	0,000		
100	1324.304.037		SLEEVE CARRIER	1				0,000		
110	1304.304.444		SLIDING SLEEVE	1			9S-109 KLAUE D=96	0,000		
120	---		RETAINING RING	1			S= 2,40- 2,80( ABSTUFUNG:0,10MM)	0,000		
---	0630.501.195		RETAINING RING	1			60X2,8	0,000		
---	0630.501.194		RETAINING RING	1			60X2,7	0,000		
---	0630.501.197		RETAINING RING	1			60X2,6	0,000		
---	0630.531.141		RETAINING RING	1			60X2,5	0,000		
---	0630.501.067		RETAINING RING	1			60X2,4	0,000		
200	0750.115.973		NEEDLE CAGE	1		C01004479F10	60,0X68,0X39,0	0,000		
210	1324.304.021		HELICAL GEAR	1		Z00003789910	RG 9S1110/9S1310	0,000		
230	0750.117.844		TAROLLBEARING	1			50,8X104,7X36,5	0,000		
/10	0735.371.599		TAROLLBEARING	1			50,8X104,7X36,5 FA.TIMKEN	0,000		
/20	0735.372.146		TAROLLBEARING	1			50,8X104,7X36,5 FA.FAG	0,000		
240	1324.304.028		SUN GEAR	1		C01006561F10	9 S 1310 TO	0,000		
250	---		RETAINING RING	1			S= 2,10- 3,20( ABSTUFUNG:0,05MM)	0,000		
---	0630.501.151		RETAINING RING	1			50X3,2	0,000		
---	0630.501.298		RETAINING RING	1			50X3,15	0,000		
---	0630.501.150		RETAINING RING	1			50X3,1	0,000		
---	0630.501.299		RETAINING RING	1			50X3,05	0,000		
---	0630.531.065		RETAINING RING	1			50X3	16		
---	0630.501.111		RETAINING RING	1			50X2,95	0,000		

# Parts list

Page 2 from 3

Material number: 1324.002.027

9 S 1110 TD / ASHOK-LEYLAND - CUMMINS

Plant: 062.04.08-1

Material-assembly-group-no: 1324.104.005



Pos.	Material number	Customer material	Name	Quantity	ME	Amend. no.	Techn. Info.	Weight	Rep kit	Alternative material
---	0630.501.112		RETAINING RING	1			50X2,9	0,000		
---	0630.501.113		RETAINING RING	1			50X2,85	0,000		
---	0630.501.114		RETAINING RING	1			50X2,8	0,000		
---	0630.501.115		RETAINING RING	1			50X2,75	0,000		
---	0630.501.116		RETAINING RING	1			50X2,7	0,000		
---	0630.501.117		RETAINING RING	1			50X2,65	0,000		
---	0630.501.118		RETAINING RING	1			50X2,6	0,000		
---	0630.501.160		RETAINING RING	1			50X2,55	0,000		
---	0630.531.064		RETAINING RING	1			50X2,5	0,100		
---	0630.501.159		RETAINING RING	1			50X2,45	0,000		
---	0630.501.148		RETAINING RING	1			50X2,4	0,000		
---	0630.501.294		RETAINING RING	1			50X2,35	0,000		
---	0630.501.147		RETAINING RING	1			50X2,3	0,000		
---	0630.501.295		RETAINING RING	1			50X2,25	0,000		
---	0630.501.146		RETAINING RING	1			50X2,2	0,000		
---	0630.501.296		RETAINING RING	1			50X2,15	0,000		
---	0630.501.145		RETAINING RING	1			50X2,1	0,000		
260	1324.304.014		PIPE	1			E21	0,000		
350	0750.115.971		NEEDLE CAGE	2		C01004480F10	1G 75,0X83,0X23,0	0,000		
360	1324.304.030		HELICAL GEAR	1		Z00004550510	KLAUE D=100	0,000		
370	1324.304.013		CLUTCH BODY	1			ZF BK131_O	0,000		
380	1324.204.007		SYNCHRONIZER	1			KPL.1+2G	0,000		
/10	1324.304.052		SYNCHROBODY	1		Z00005741711	ZF-BK131	0,000		
/20	1324.304.053		SLIDING SLEEVE	1		Z00005741711	ZF-BK131 ECOMID 1./2. SAMM	0,000		
/30	1268.304.594		SYNCHROING	2			ZFBK 131	0,000		
/50	1297.304.436		PRESSURE PIECE	3				0,004		
/60	0732.040.409		COMPRSPRING	3		C01007317F10		0,002		
450	1324.304.013		CLUTCH BODY	1			ZF BK131_O	0,000		
460	1324.304.064		BUSH	1		Z00012143410		0,000		

# Parts list

Page 3 from 3

Material number: 1324.002.027

9 S 1110 TD / ASHOK-LEYLAND - CUMMINS

Plant: 062.04.08-1

Material-assembly-group-no: 1324.104.005



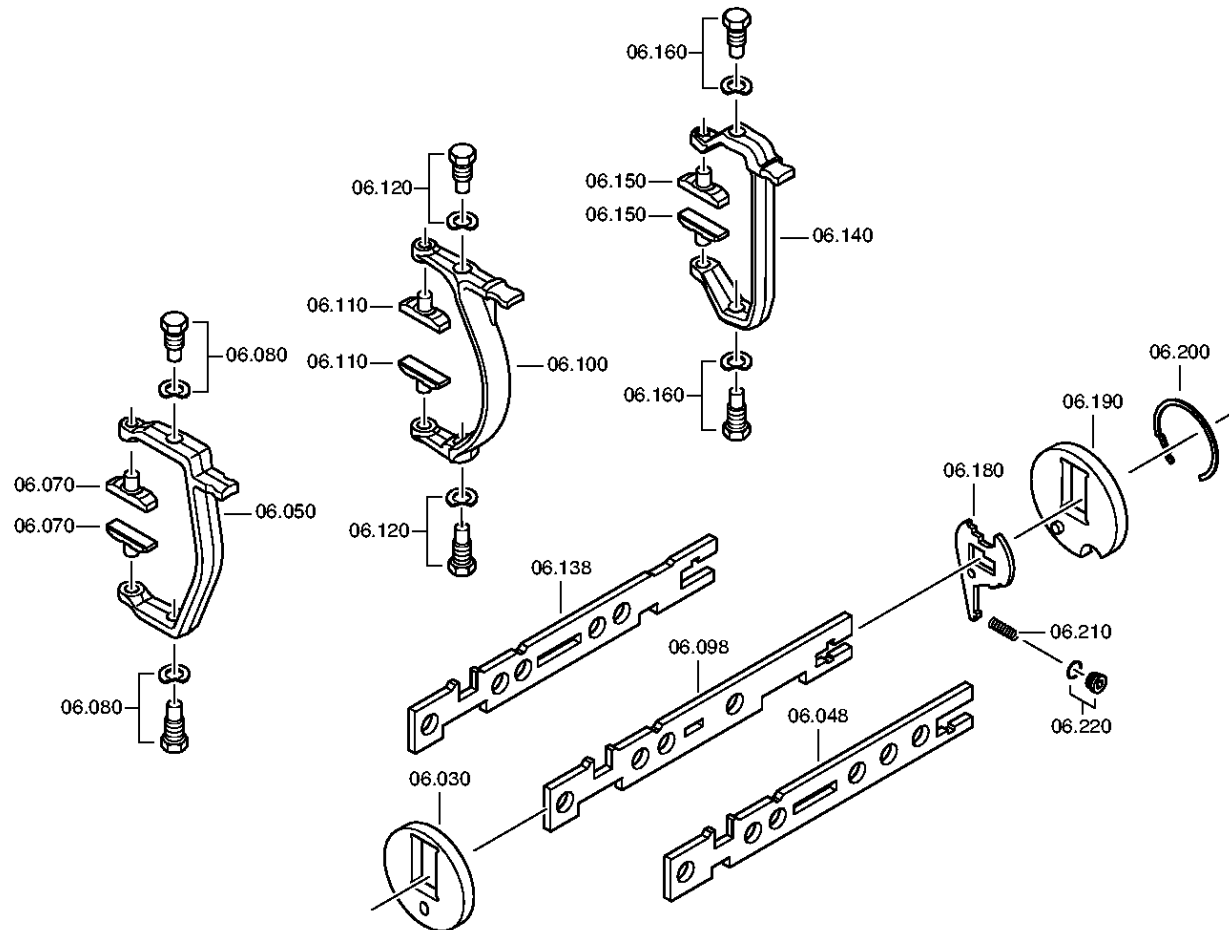
Pos.	Material number	Customer material	Name	Quantity	ME	Amend. no.	Techn. Info.	Weight	Rep kit	Alternative material
462	---		RETAINING RING	1			S= 1,90- 2,40( ABSTUFUNG:0,10MM)	0,000		
---	0630.501.067		RETAINING RING	1			60X2,4	0,000		
---	0630.501.068		RETAINING RING	1			60X2,3	0,000		
---	0630.501.069		RETAINING RING	1			60X2,2	0,000		
---	0630.501.070		RETAINING RING	1			60X2,1	0,000		
---	0630.501.041		RETAINING RING	1			60X2	0,010		
---	0630.501.278		RETAINING RING	1			60X1,9	0,000		
470	0750.115.970		NEEDLE CAGE	1		C01004481F10	75,0X83,0X40,0	0,000		
480	1324.304.015		HELICAL GEAR	1			2G	0,000		
490	0750.115.969		NEEDLE CAGE	2		C01004482F10	60,0X68,0X25,0	0,000		
500	1324.304.009		HELICAL GEAR	1			3G	0,000		
510	1324.304.011		CLUTCH BODY	1				0,000		
520	1324.204.008		SYNCHRONIZER	1			KPL.3+4G	0,000		
/10	1324.304.006		SYNCHROBODY	1			E21 IN 1304 304 650(0)	0,000		
/20	1311.304.103		SLIDING SLEEVE	1			ZF-BK119	0,000		
/30	1311.304.255		SYNCHRO RING	2			ZF BK119	0,000		
/50	1297.304.436		PRESSURE PIECE	3				0,004		
/60	0732.040.409		COMPRSPRING	3		C01007317F10		0,002		
540	1324.204.009		CLUTCH BODY	1			KPL.	0,000		
/120	0501.314.108		OIL DAM	1			79X105,1X5,3*CFW	0,000		
550	0750.117.232		TAROLLBEARING	1			42,0X40,3	0,000		
552	---		RETAINING RING	1			S= 2,00- 2,50( ABSTUFUNG:0,10MM)	0,000		
---	0630.531.052		RETAINING RING	1			42X2,5	10		
---	0630.501.120		RETAINING RING	1			42X2,4	0,000		
---	0630.501.156		RETAINING RING	1			42X2,3	0,000		
---	0630.501.210		RETAINING RING	1			42X2,2	0,000		
---	0630.501.208		RETAINING RING	1			42X2,1	0,000		
---	0630.501.157		RETAINING RING	1			42X2,0	0,000		

# Plant

Page 1 from 2

Material number: 1324.002.027  
Plant: 062.06.28-1  
GEAR SHIFT SYSTEM

9 S 1110 TD / ASHOK-LEYLAND - CUMMINS  
GEAR SHIFT SYSTEM

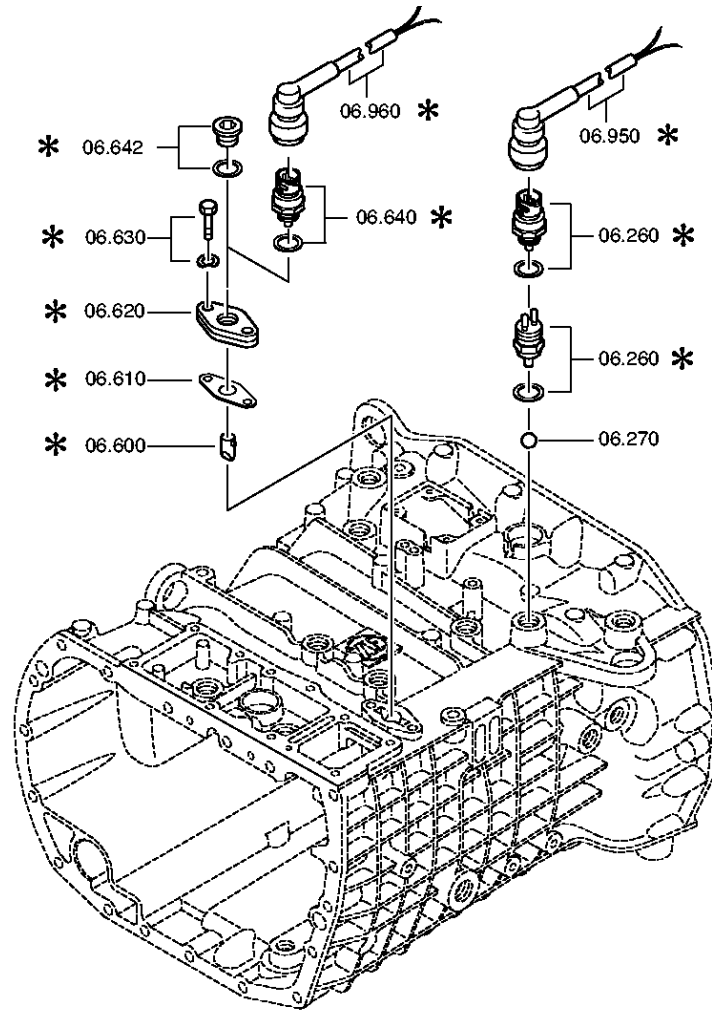


# Plant

Page 2 from 2

Material number: 1324.002.027  
Plant: 062.06.50-1  
GEAR SHIFT SYSTEM

9 S 1110 TD / ASHOK-LEYLAND - CUMMINS  
GEAR SHIFT SYSTEM



# Parts list

Page 1 from 2

Material number: 1324.002.027

9 S 1110 TD / ASHOK-LEYLAND - CUMMINS

Plant: 062.06.28-1

Material-assembly-group-no: 1324.106.013



Pos.	Material number	Customer material	Name	Quantity	ME	Amend. no.	Techn. Info.	Weight	Rep kit	Alternative material
30	1304.306.089		BEARING PLATE	1				0,000		
48	1324.306.027		GEAR SHIFT RAIL	1			3/4	0,000		
50	1324.306.032		GEAR SHIFT FORK	1			3/4 W/O TOGGEL	0,000		
70	1290.306.066		SLIDING PAD	2				0,037		
80	---		ARTICULATION BOLT	2			M18X1,5 SK6	0,000		
---	1346.306.089		ARTICULATION BOLT	2		Z00008927910		0,000		
---	0730.301.379		SPRING WASHER	2		Z00009160711	19X28 19X28	0,000		
98	1324.306.026		GEAR SHIFT RAIL	1			1/2	0,000		
100	1324.306.013		GEAR SHIFT FORK	1			1/2*O.UMLENKUNG	0,000		
110	1290.306.066		SLIDING PAD	2				0,037		
120	---		ARTICULATION BOLT	2			M18X1,5 SK6	0,000		
---	1346.306.089		ARTICULATION BOLT	2		Z00008927910		0,000		
---	0730.301.379		SPRING WASHER	2		Z00009160711	19X28 19X28	0,000		
138	1324.306.025		GEAR SHIFT RAIL	1			R/C W/O INVERSE	0,000		
140	1324.306.039		GEAR SHIFT FORK	1				0,000		
150	1316.306.015		SLIDING PAD	2		C01009627E10		0,000		
160	---		ARTICULATION BOLT	2			M18X1,5 SK6	0,000		
---	1346.306.089		ARTICULATION BOLT	2		Z00008927910		0,000		
---	0730.301.379		SPRING WASHER	2		Z00009160711	19X28 19X28	0,000		
180	---		LOCKING LEVER	1				0,000		
---	1324.306.034		LOCKING LEVER	1				0,000		
---	1324.306.033		LOCKING LEVER	1			E21	0,000		
190	1304.306.090		BEARING PLATE	1			9/16 S 90 HINTEN WAAGRECHT	0,000		
200	0730.300.430		SNAP RING	1				0,000		
210	0732.041.374		COMPRSPRING	1				0,000		
220	---		SCREW PLUG	1			35N.M*DICHTRING M14X1,5	0,000		
---	0636.100.689		SCREW PLUG	1		Z00010111911	M14X1,5	0,000		
---	0634.801.217		SEALING RING	1			14X20	0,000		



# Parts list

Page 2 from 2

Material number: 1324.002.027

9 S 1110 TD / ASHOK-LEYLAND - CUMMINS

Plant: 062.06.28-1

Material-assembly-group-no: 1324.106.013



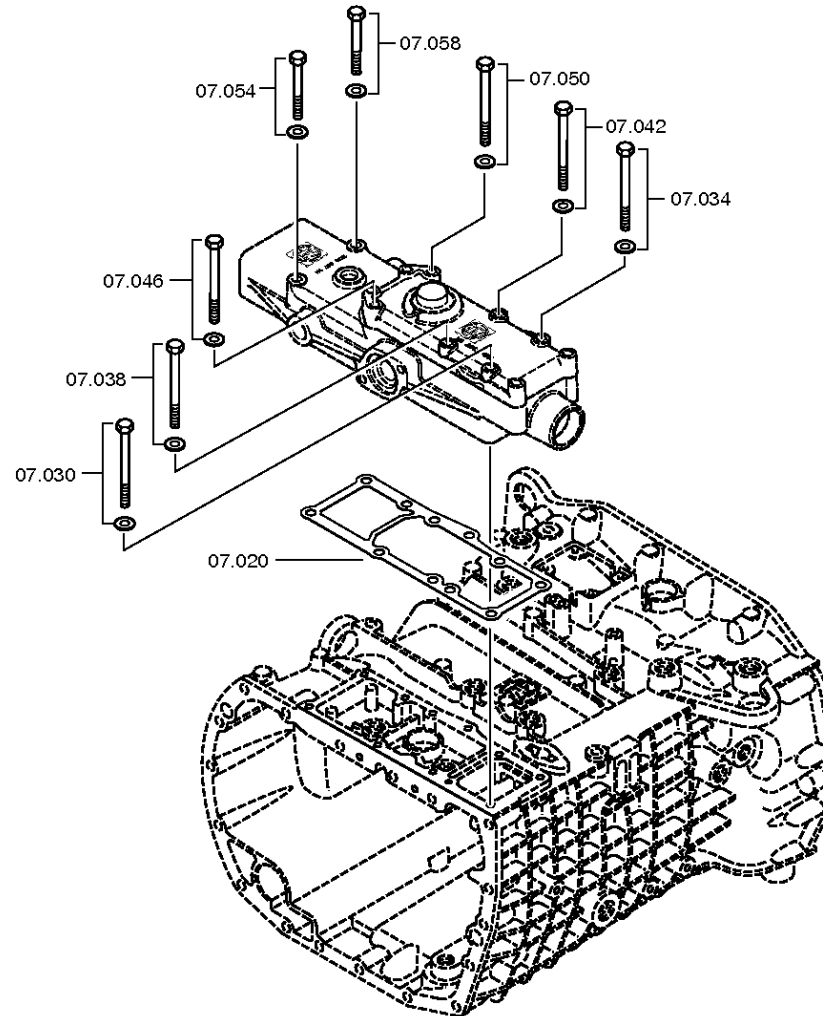
Pos.	Material number	Customer material	Name	Quantity	ME	Amend. no.	Techn. Info.	Weight	Rep kit	Alternative material
260	---		SWITCH	1			SCHL*45N.M* DICHTRING* BAJONETT* SCHUTZKAPPE	0,000		
---	0501.210.058		SWITCH	1			KPL.	0,000		
---	0634.801.062		SEALING RING	1			18X24	0,001		
---	0700.300.427		PROTECTING CAP	1				0,005		
270	0635.460.024		BALL	1			13	0,000		
610	1268.307.170		GASKET	1			ENTHALT.IN 1290 306 272(2)	0,000		
620	1324.301.164		PLATE	1		Z00009025310		0,000		
630	0636.100.796		HEXAGON BOLT	2		Z00007891111	M8X20	0,000		

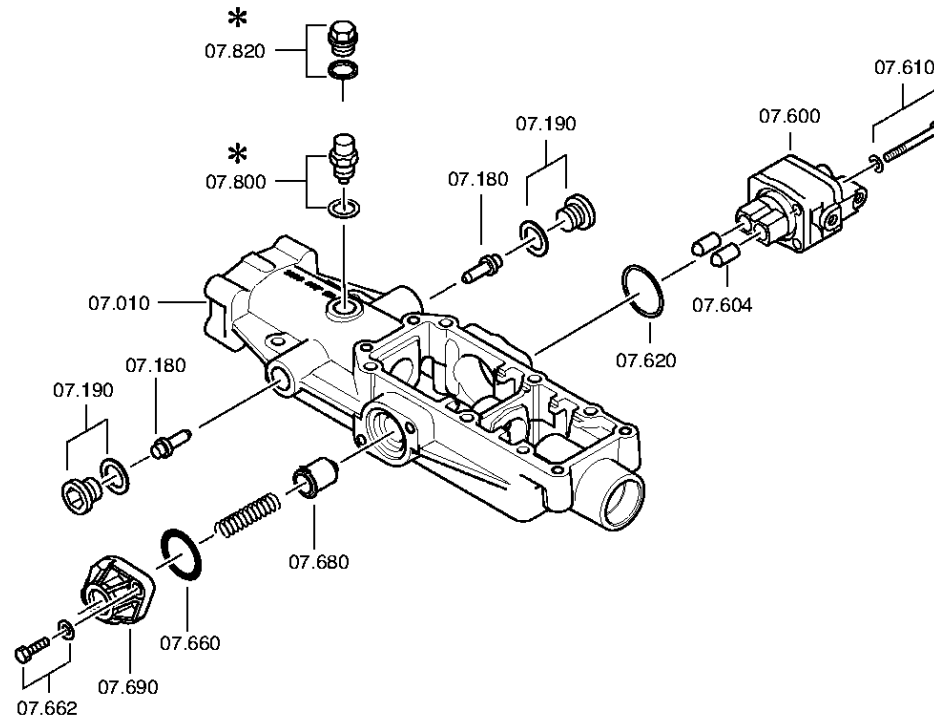
# Plant

Page 1 from 3

Material number: 1324.002.027  
Plant: 062.07.85-1  
GEAR SHIFT HOUSING

9 S 1110 TD / ASHOK-LEYLAND - CUMMINS  
GEAR SHIFT HOUSING



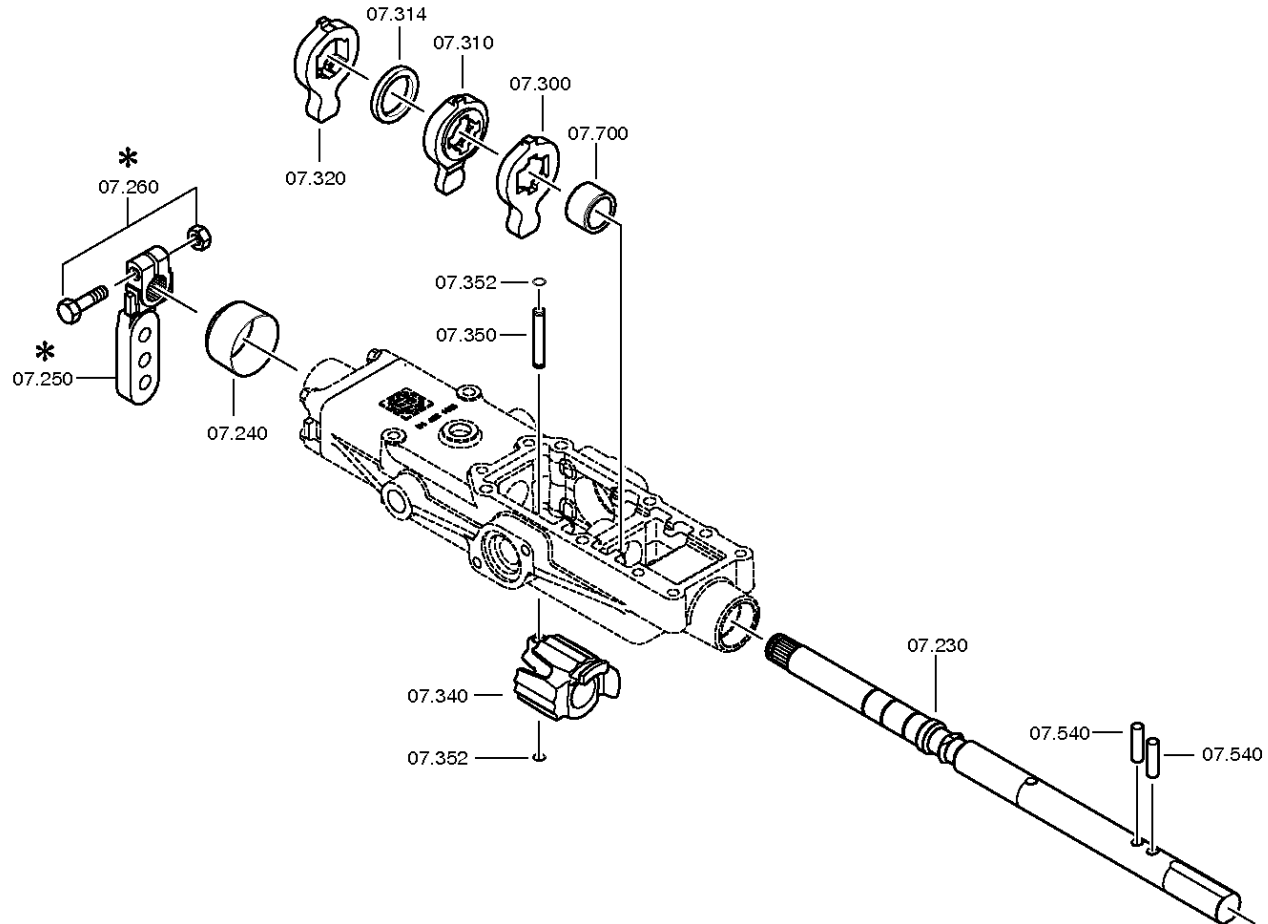


# Plant

Page 3 from 3

Material number: 1324.002.027  
Plant: 062.07.56-1  
GEAR SHIFT HOUSING

9 S 1110 TD / ASHOK-LEYLAND - CUMMINS  
GEAR SHIFT HOUSING



# Parts list

Page 1 from 2

Material number: 1324.002.027

9 S 1110 TD / ASHOK-LEYLAND - CUMMINS

Plant: 062.07.85-1

Material-assembly-group-no: 1324.107.802



Pos.	Material number	Customer material	Name	Quantity	ME	Amend. no.	Techn. Info.	Weight	Rep kit	Alternative material
10	1324.307.207		GEAR SHIFT HOUSING	1		Z00003894110		0,000		
20	0501.324.626		GASKET	1				0,000		
30	0636.011.765		HEXAGON BOLT	1		Z00007054611	M8X105	0,000		
34	---		HEXAGON BOLT	1		C01000900F10	M8X100	0,000		
---	0636.011.763		HEXAGON BOLT	1		Z00007053111	M8X100	0,000		
---	0630.100.295		WASHER	1		Z00007158414		0,000		
38	0636.011.765		HEXAGON BOLT	1		Z00007054611	M8X105	0,000		
42	---		HEXAGON BOLT	1		C01000900F10	M8X100	0,000		
---	0636.011.763		HEXAGON BOLT	1		Z00007053111	M8X100	0,000		
---	0630.100.295		WASHER	1		Z00007158414		0,000		
46	---		HEXAGON BOLT	1		C01000900F10	M8X100	0,000		
---	0636.011.763		HEXAGON BOLT	1		Z00007053111	M8X100	0,000		
---	0630.100.295		WASHER	1		Z00007158414		0,000		
50	---		HEXAGON BOLT	1		C01000900F10	M8X100	0,000		
---	0636.011.763		HEXAGON BOLT	1		Z00007053111	M8X100	0,000		
---	0630.100.295		WASHER	1		Z00007158414		0,000		
54	---		HEXAGON BOLT	1		Z00007052814	M8X75	0,000		
---	0636.100.522		HEXAGON BOLT	1		Z00007052812	M8X75	0,000		
---	0630.100.295		WASHER	1		Z00007158414		0,000		
58	---		HEXAGON BOLT	1		Z00007052814	M8X75	0,000		
---	0636.100.522		HEXAGON BOLT	1		Z00007052812	M8X75	0,000		
---	0630.100.295		WASHER	1		Z00007158414		0,000		
180	1346.307.020		BOLT	2				0,000		
190	---		SCREW PLUG	2		Z00010111513	35N.M*DICHTRING M18X1,5	0,000		
---	0636.100.791		SCREW PLUG	2		Z00010111521	M18X1,5	0,000		
---	0634.801.062		SEALING RING	2		Z00010111521	18X24	0,001		
230	1324.307.180		GEAR SHIFT SHAFT	1				0,000		
240	1324.307.268		PROTECTING CAP	1		Z00009174312		0,000		
250	0637.510.211		PLUG	1				0,000		
300	1324.307.102		DRIVER	1			3/4 GEAR	0,000		

# Parts list

Page 2 from 2

Material number: 1324.002.027

9 S 1110 TD / ASHOK-LEYLAND - CUMMINS

Plant: 062.07.85-1

Material-assembly-group-no: 1324.107.802



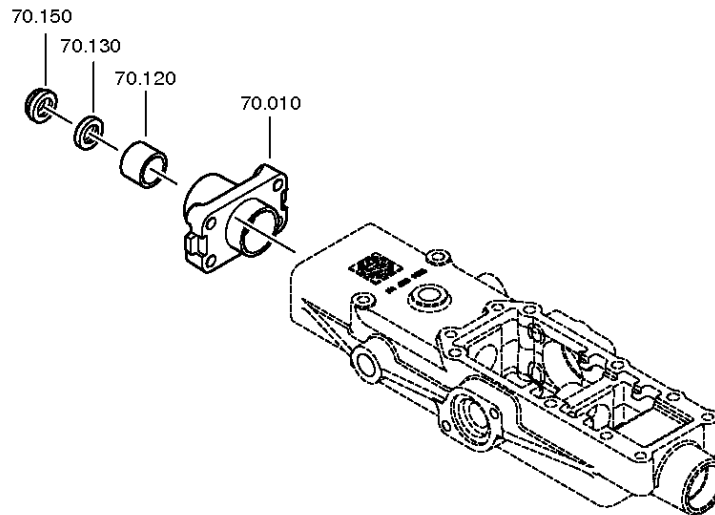
Pos.	Material number	Customer material	Name	Quantity	ME	Amend. no.	Techn. Info.	Weight	Rep kit	Alternative material
310	1324.307.073		DRIVER	1			1/2 GANG	0,000		
314	0730.113.437		RING	1				0,000		
320	1324.307.287		DRIVER	1		Z00011901710		0,000		
340	1324.307.116		DETENT PART	1		C01008723E10	WB1	0,000		
350	0731.201.767		PIN	1				0,000		
352	0630.513.041		SNAP RING	2				0,000		
540	0731.201.765		CYLINDRICAL PIN	2				0,000		
600	6038.202.045		CUT-OFF VALVE	1			KPL.H-H* ABLUFTDROSSEL 2,50	0,000		
604	0501.209.188		BALL ROLLER	2			KPL.	0,000		
610	---		HEXAGON BOLT	4			M8X65	0,000		
---	0636.100.519		HEXAGON BOLT	4		Z00007054112	M8X65	0,000		
---	0630.100.295		WASHER	4		Z00007158414		0,000		
620	0634.313.505		O-RING	1			42X3	0,000		
660	0634.303.332		O-RING	1			32X4	0,002		
662	---		HEXAGON BOLT	2		Z00007891312	M8X30	0,000		
---	0636.100.797		HEXAGON BOLT	2		Z00007891310	M8X30	0,000		
---	0630.100.295		WASHER	2		Z00007158414		0,000		
680	0501.314.501		STOP PIN	1				0,000		
690	1304.307.331		COVER	1			ENTHALT.IN 1304 307 329(2)	0,000		
700	0730.260.330		BEARING BUSH	1			A=20,00 IN 0730 260 546(2)	0,000		
800	---		DETENT PLUNGER	1			88N*50N.M*90GRAD* AUSF.C	0,000		
---	1324.207.030		DETENT PLUNGER	1		Z00009008210	KPL. 88 N	0,000		
---	0730.008.604		SEALING RING	1		C01003888F10		0,000		

# Plant

Page 1 from 3

Material number: 1324.002.027  
Plant: 062.08.25-1  
COVER

9 S 1110 TD / ASHOK-LEYLAND - CUMMINS  
SHIFT TURRET

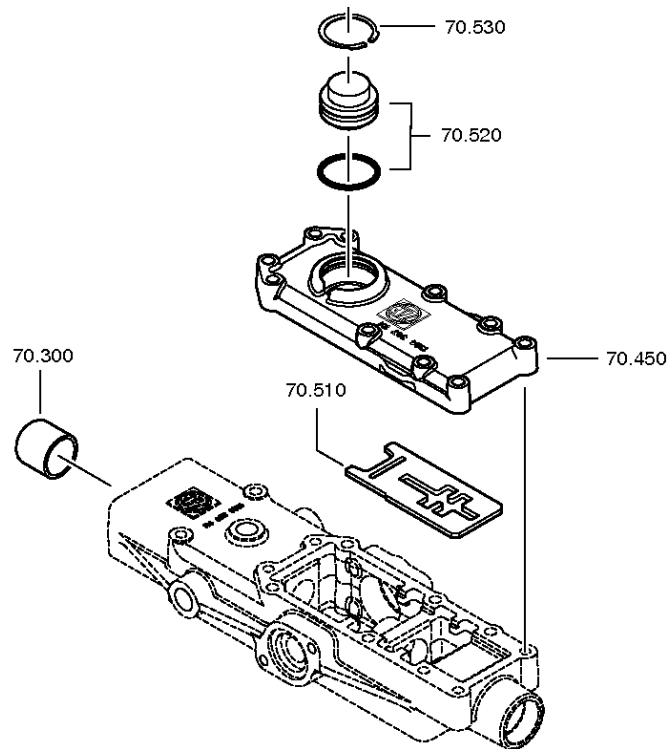


# Plant

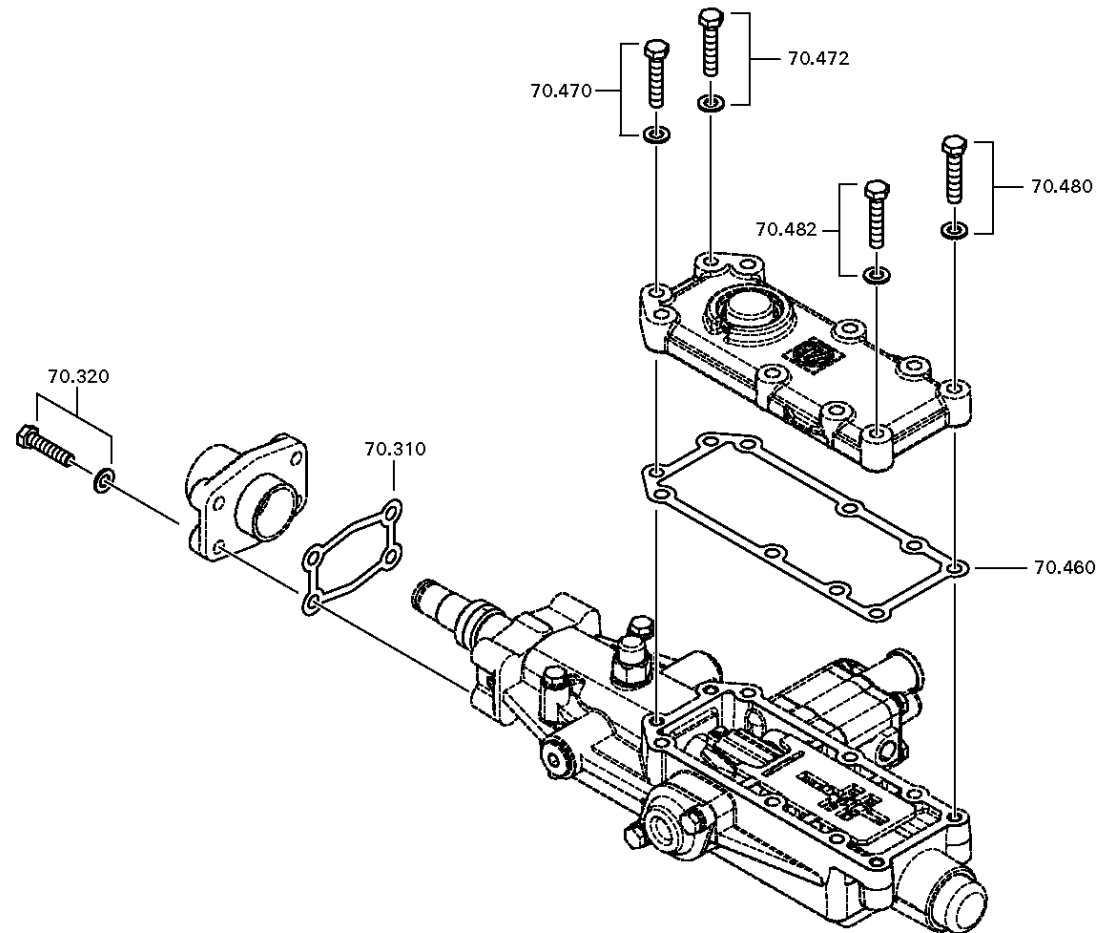
Page 2 from 3

Material number: 1324.002.027  
Plant: 062.08.21-1  
COVER

9 S 1110 TD / ASHOK-LEYLAND - CUMMINS  
SHIFT TURRET







# Parts list

Page 1 from 1

Material number: 1324.002.027

9 S 1110 TD / ASHOK-LEYLAND - CUMMINS

Plant: 062.08.25-1

Material-assembly-group-no: 1324.170.017



Pos.	Material number	Customer material	Name	Quantity	ME	Amend. no.	Techn. Info.	Weight	Rep kit	Alternative material
10	1324.307.264		GEAR SHIFT COVER	1		Z00013015510		0,000		
120	0730.260.753		BEARING BUSH	1			A=20,00 IN 0730 260 546(2)	0,000		
130	0634.300.271		SHAFT SEAL	1			22X32X7	0,000		
150	0634.307.378		SCRAPER	1				0,000		
300	0501.322.758		SEALING CAP	1				0,000		
310	0501.318.308		GASKET	1				0,000		
320	---		HEXAGON BOLT	4			M8X35	0,000		
---	0636.100.628		HEXAGON BOLT	4			M8X35	0,000		
---	0630.100.295		WASHER	4		Z00007158414		0,000		
450	1324.307.258		COVER	1		Z00008820111		0,000		
460	1324.307.082		GASKET	1			E21	0,000		
470	---		HEXAGON BOLT	1			M8X40	0,000		
---	0636.100.630		HEXAGON BOLT	1		Z00007058610	M8X40	0,000		
---	0630.100.295		WASHER	1		Z00007158414		0,000		
472	---		HEXAGON BOLT	1			M8X40	0,000		
---	0636.100.630		HEXAGON BOLT	1		Z00007058610	M8X40	0,000		
---	0630.100.295		WASHER	1		Z00007158414		0,000		
480	---		HEXAGON BOLT	1			M8X40	0,000		
---	0636.100.630		HEXAGON BOLT	1		Z00007058610	M8X40	0,000		
---	0630.100.295		WASHER	1		Z00007158414		0,000		
482	---		HEXAGON BOLT	1			M8X40	0,000		
---	0636.100.630		HEXAGON BOLT	1		Z00007058610	M8X40	0,000		
---	0630.100.295		WASHER	1		Z00007158414		0,000		
510	1324.307.194		SHIFTING INTERLOCK	1				0,000		
520	0501.318.597		DETENT	1		C01003384F10		0,000		
530	0630.532.130		V-RING	1				0,000		

# Plant

Page 1 from 1

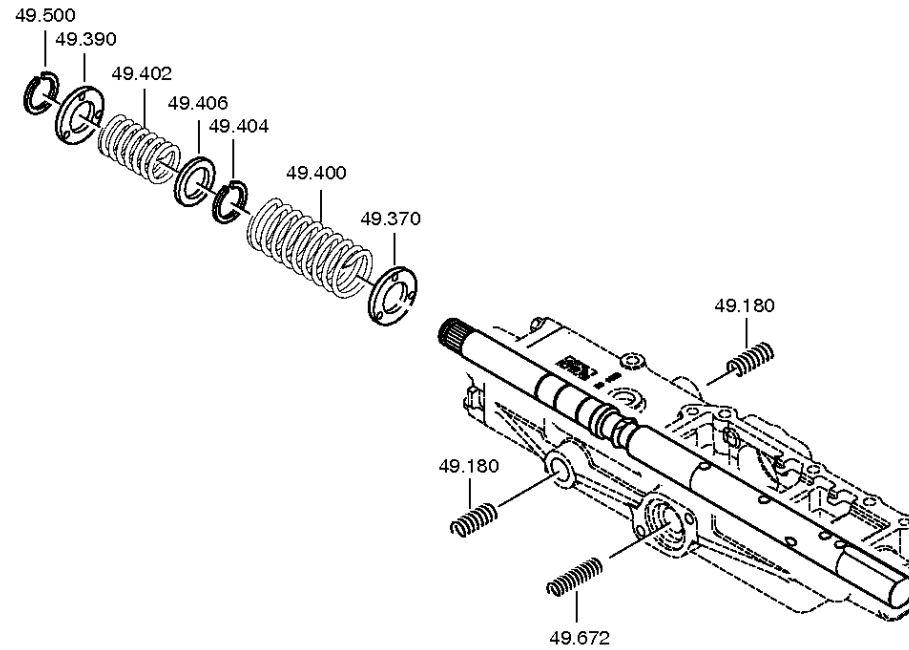
Material number: 1324.002.027

Plant: 062.12.25-1

Material-assembly-group-no: 1324.149.030

9 S 1110 TD / ASHOK-LEYLAND - CUMMINS

SET OF SPRINGS



# Parts list

Page 1 from 1

Material number: 1324.002.027

9 S 1110 TD / ASHOK-LEYLAND - CUMMINS

Plant: 062.12.25-1

Material-assembly-group-no: 1324.149.030



Pos.	Material number	Customer material	Name	Quantity	ME	Amend. no.	Techn. Info.	Weight	Rep kit	Alternative material
180	0732.040.985		COMPRSPRING	2				0,000		
370	0730.301.376		WASHER	1		Z00008917410		0,000		
390	0730.301.376		WASHER	1		Z00008917410		0,000		
400	0732.040.237		COMPRSPRING	1				30		
500	0630.532.138		V-RING	1				0,000		
672	0732.040.819		COMPRSPRING	1				0,000		

# Plant

Page 1 from 2

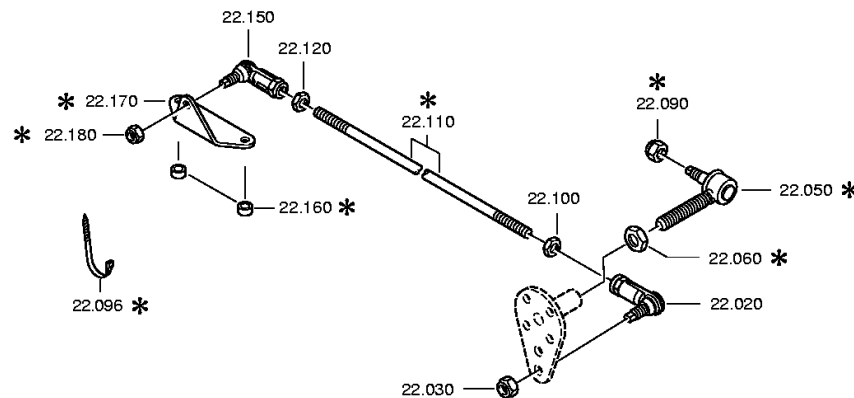
Material number: 1324.002.027  
Plant: 062.14.13-1  
SUPPORT

9 S 1110 TD / ASHOK-LEYLAND - CUMMINS  
SUPPORT



Bildtafel:  
Figure: 062.14.13  
Figure:  
Figura:

je nach Stücklistenausführung  
depending on spec. number  
\* suivant la nomenclature  
secondo la distinta base

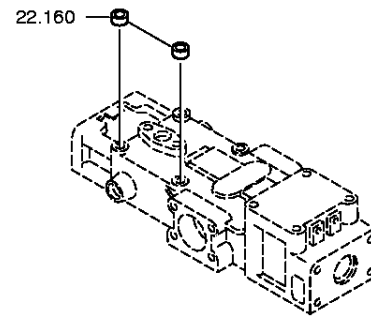


# Plant

Page 2 from 2

Material number: 1324.002.027  
Plant: 062.14.00-1  
SUPPORT

9 S 1110 TD / ASHOK-LEYLAND - CUMMINS  
SUPPORT



# Parts list

Page 1 from 1

Material number: 1324.002.027

9 S 1110 TD / ASHOK-LEYLAND - CUMMINS

Plant: 062.14.13-1

Material-assembly-group-no: 1304.122.548



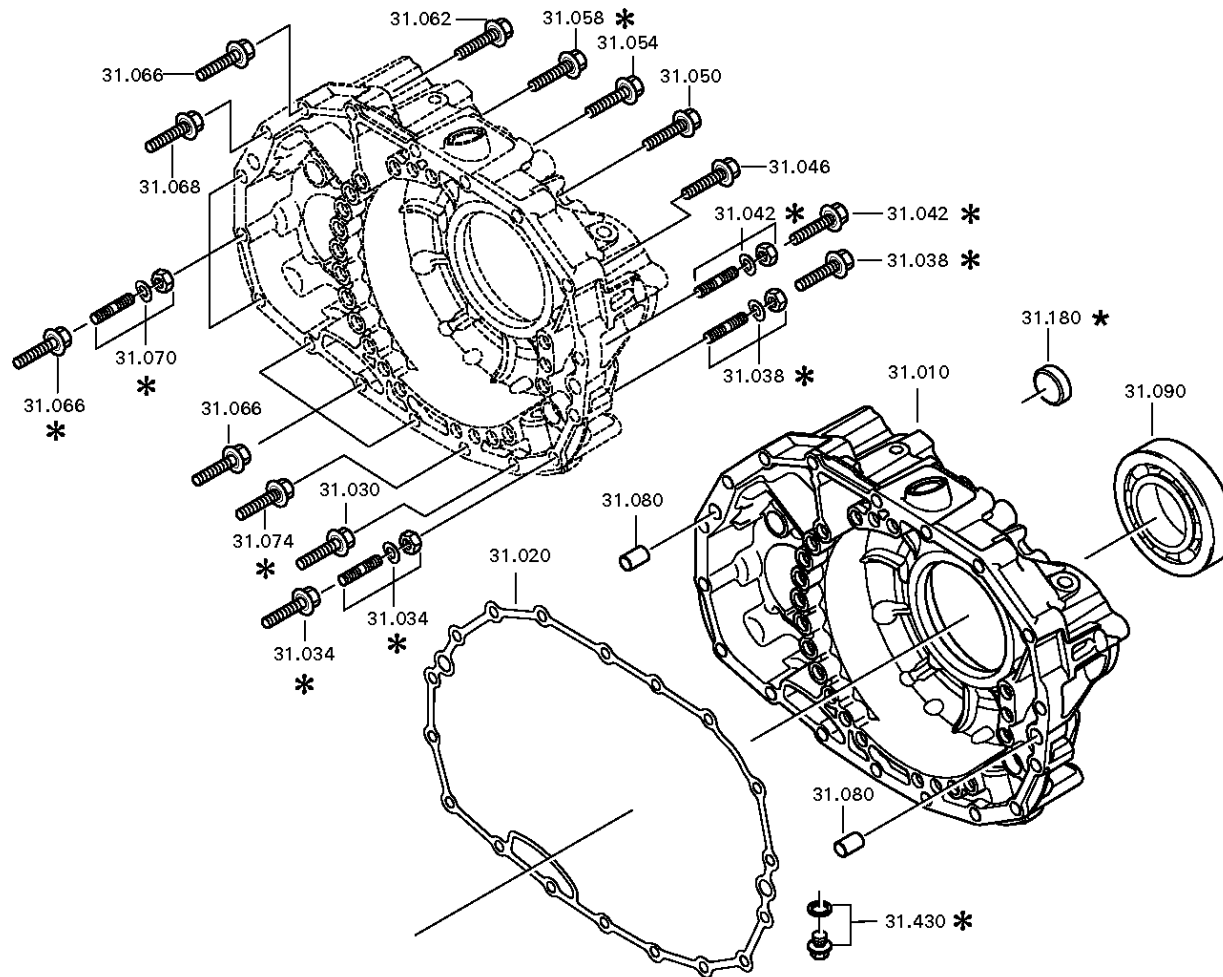
Pos.	Material number	Customer material	Name	Quantity	ME	Amend. no.	Techn. Info.	Weight	Rep kit	Alternative material
20	0501.215.954		BALL JOINT	1		Z00004967311	KPL.LI	0,000		
30	0637.011.656		HEXAGON NUT	1		Z00004967311	M10	0,000		
50	0501.204.714		BALL JOINT	1		Z00004967311	KPL. IN 0501 206 327(2)	0,000		
60	0637.100.243		HEXAGON NUT	1		Z00007282912	M14X1,5	0,000		
90	0637.100.236		HEXAGON NUT	1		Z00007283512	M10X1	0,000		
100	0637.100.262		HEXAGON NUT	1		Z00007283213	M12	0,000		
120	0637.011.654		HEXAGON NUT	1		Z00007283114	M12	0,000		
150	0501.215.940		BALL JOINT	1		Z00004967311	KPL.RE	0,000		
160	0730.062.207		PIPE	2			A=5,00	0,000		
180	0637.011.656		HEXAGON NUT	1		Z00004967311	M10	0,000		

# Plant

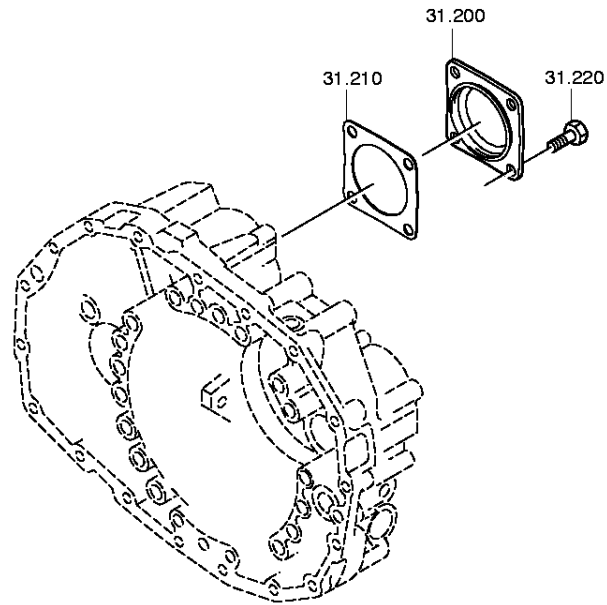
Page 1 from 2

Material number: 1324.002.027  
Plant: 062.43.09-1  
GP HOUSING

9 S 1110 TD / ASHOK-LEYLAND - CUMMINS  
GP HOUSING







# Parts list

Page 1 from 1

Material number: 1324.002.027

9 S 1110 TD / ASHOK-LEYLAND - CUMMINS

Plant: 062.43.09-1

Material-assembly-group-no: 1304.131.069



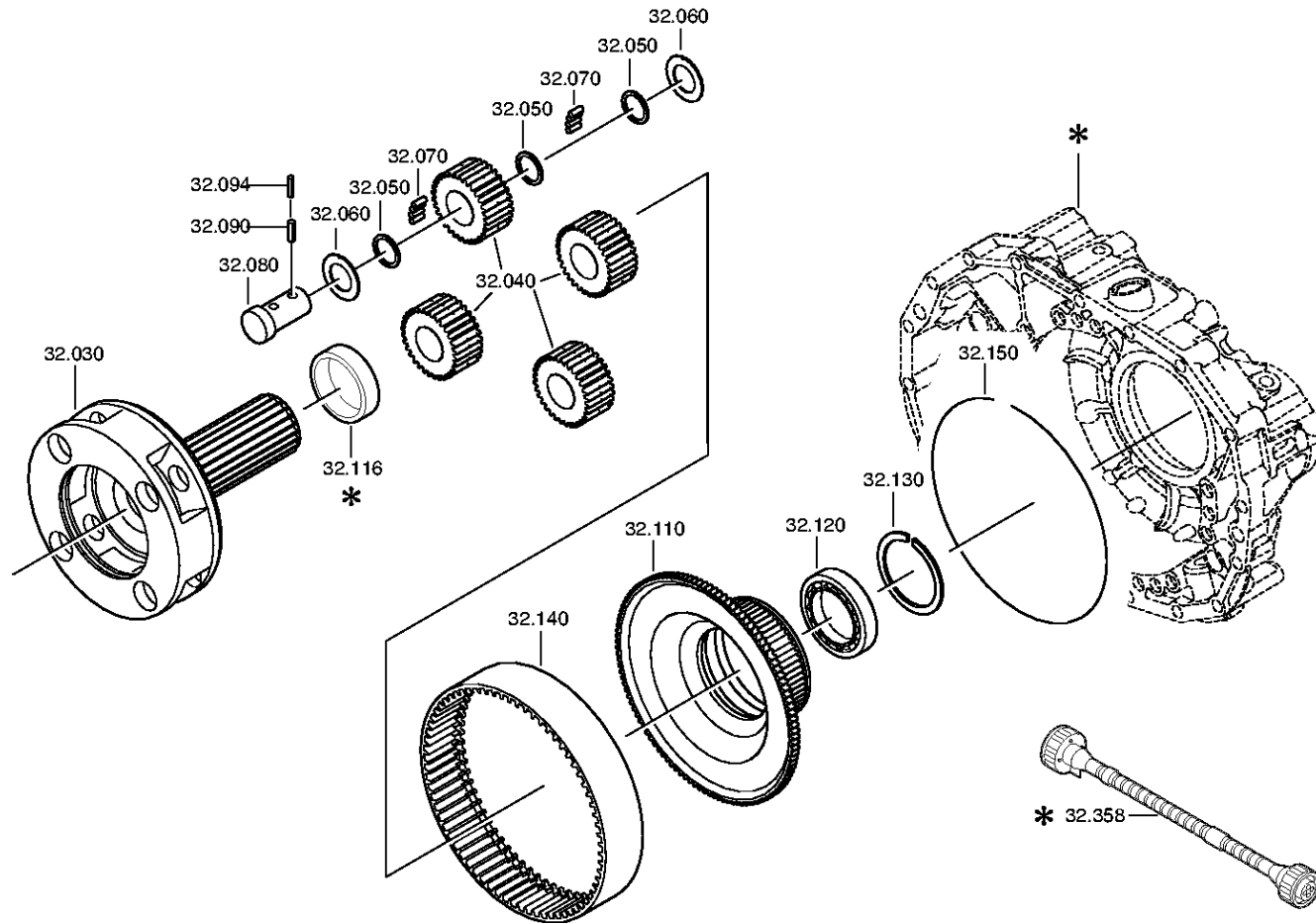
Pos.	Material number	Customer material	Name	Quantity	ME	Amend. no.	Techn. Info.	Weight	Rep kit	Alternative material
10	1304.301.382		HOUSING III	1		Z00001502414		0,000		
20	1304.301.305		GASKET	1				0,000		
30	0736.300.122		HEXAGON BOLT	1		Z00009403110	M10X110 M10X110	0,000		
34	0736.300.122		HEXAGON BOLT	1		Z00009403110	M10X110 M10X110	0,000		
38	0736.300.123		HEXAGON BOLT	1			M10X70 M10X70	0,000		
42	0736.300.124		HEXAGON BOLT	1		Z00009402910	M10X50 M10X50	0,000		
46	0736.300.123		HEXAGON BOLT	1			M10X70 M10X70	0,000		
50	0736.300.123		HEXAGON BOLT	1			M10X70 M10X70	0,000		
54	0736.300.122		HEXAGON BOLT	1		Z00009403110	M10X110 M10X110	0,000		
58	0736.300.122		HEXAGON BOLT	1		Z00009403110	M10X110 M10X110	0,000		
62	0736.300.123		HEXAGON BOLT	1			M10X70 M10X70	0,000		
66	0736.300.123		HEXAGON BOLT	3			M10X70 M10X70	0,000		
68	0736.300.123		HEXAGON BOLT	1			M10X70 M10X70	0,000		
70	0736.300.123		HEXAGON BOLT	3			M10X70 M10X70	0,000		
72	0736.300.123		HEXAGON BOLT	1			M10X70 M10X70	0,000		
74	0736.300.122		HEXAGON BOLT	1		Z00009403110	M10X110 M10X110	0,000		
80	0631.306.229		CYLINDRICAL PIN	2			16X36	0,000		
90	0750.116.404		BALL BEARING	1		Z00001502414	80,0X140,0X26,0	0,000		
200	1328.301.170		COVER	1		Z00008068012		0,000		
210	1238.308.201		GASKET	1			ENTHALT.IN 1238 308 202(2)	0,000		
220	0636.016.406		HEXAGON BOLT	4		Z00007061014	M12X25	0,000		

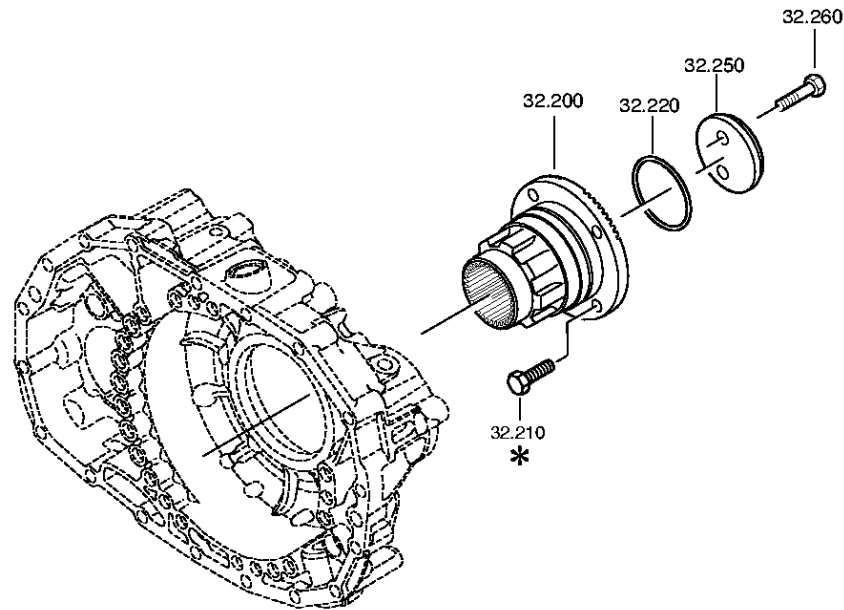
# Plant

Page 1 from 2

Material number: 1324.002.027  
Plant: 062.44.13-1  
PLANETARY DRIVE

9 S 1110 TD / ASHOK-LEYLAND - CUMMINS  
PLANETARY DRIVE





# Parts list

Page 1 from 1

Material number: 1324.002.027

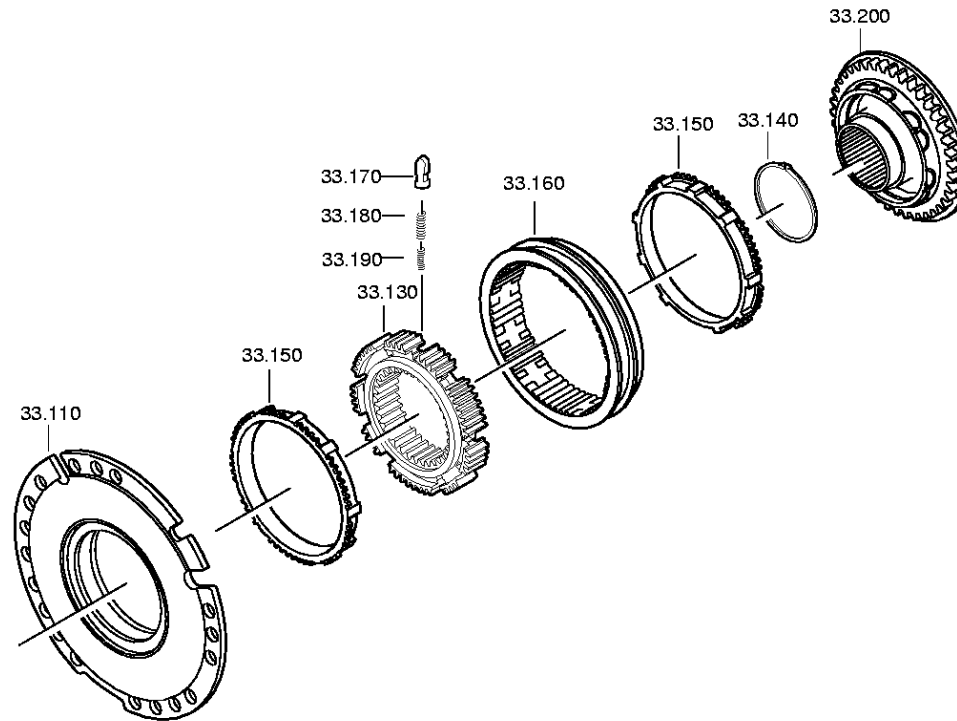
9 S 1110 TD / ASHOK-LEYLAND - CUMMINS

Plant: 062.44.13-1

Material-assembly-group-no: 1324.132.003



Pos.	Material number	Customer material	Name	Quantity	ME	Amend. no.	Techn. Info.	Weight	Rep kit	Alternative material
30	1324.232.004		PLANET CARRIER	1			KPL. *NEW ECOMID	0,000		
40	1324.232.002		PLANET GEAR SET	1			KPL.	0,000		
50	0730.103.102		INTERMWASHER	12			A=1,50 IN 0730 105 951(2)	0,000		
60	0730.150.767		WASHER	8		C01003023E10	A=1,50 IN 0501 304 086(2)	0,000		
70	0735.470.115		NEEDLE ROLLER	160			5,0X15,3 FA.INA	0,000		
80	1324.332.016		PLANET SHAFT	4		C01003313F10	9 S 1310	0,000		
90	0631.329.049		SLOTPIN	4			5X22	2		
94	0631.329.175		SLOTPIN	4			3X22	0,000		
110	1324.332.007		RING GEAR CARRIER	1				0,000		
120	0735.330.804		BALL BEARING	1			70,0X110,0X13,0 FA.FAG	0,000		
130	---		SNAP RING	1			S= 2,00- 2,50( ABSTUFUNG:0,10MM)	0,000		
---	0730.513.755		SNAP RING	1				0,000		
---	0730.513.756		SNAP RING	1				0,000		
---	0730.513.757		SNAP RING	1				0,000		
---	0730.513.758		SNAP RING	1				0,000		
---	0730.513.759		SNAP RING	1				0,000		
---	0730.513.760		SNAP RING	1				0,000		
140	1324.332.018		RING GEAR	1			ECOMID NEW	0,000		
150	0730.505.053		LOCKING WIRE	1			A=2,50 IN 0730 505 052(2)	0,000		
200	1304.338.097		OUTPUT FLANGE	1				0,000		
220	0634.313.223		O-RING	1			59,2X5,7	0,000		
250	1304.338.045		WASHER	1			ENTHALT.IN 1295 332 063(2)	0,000		
260	0636.016.407		HEXAGON BOLT	2		Z00009111110	M12X50	0,000		



# Parts list

Page 1 from 1

Material number: 1324.002.027

9 S 1110 TD / ASHOK-LEYLAND - CUMMINS

Plant: 062.45.05-1

Material-assembly-group-no: 1324.133.001



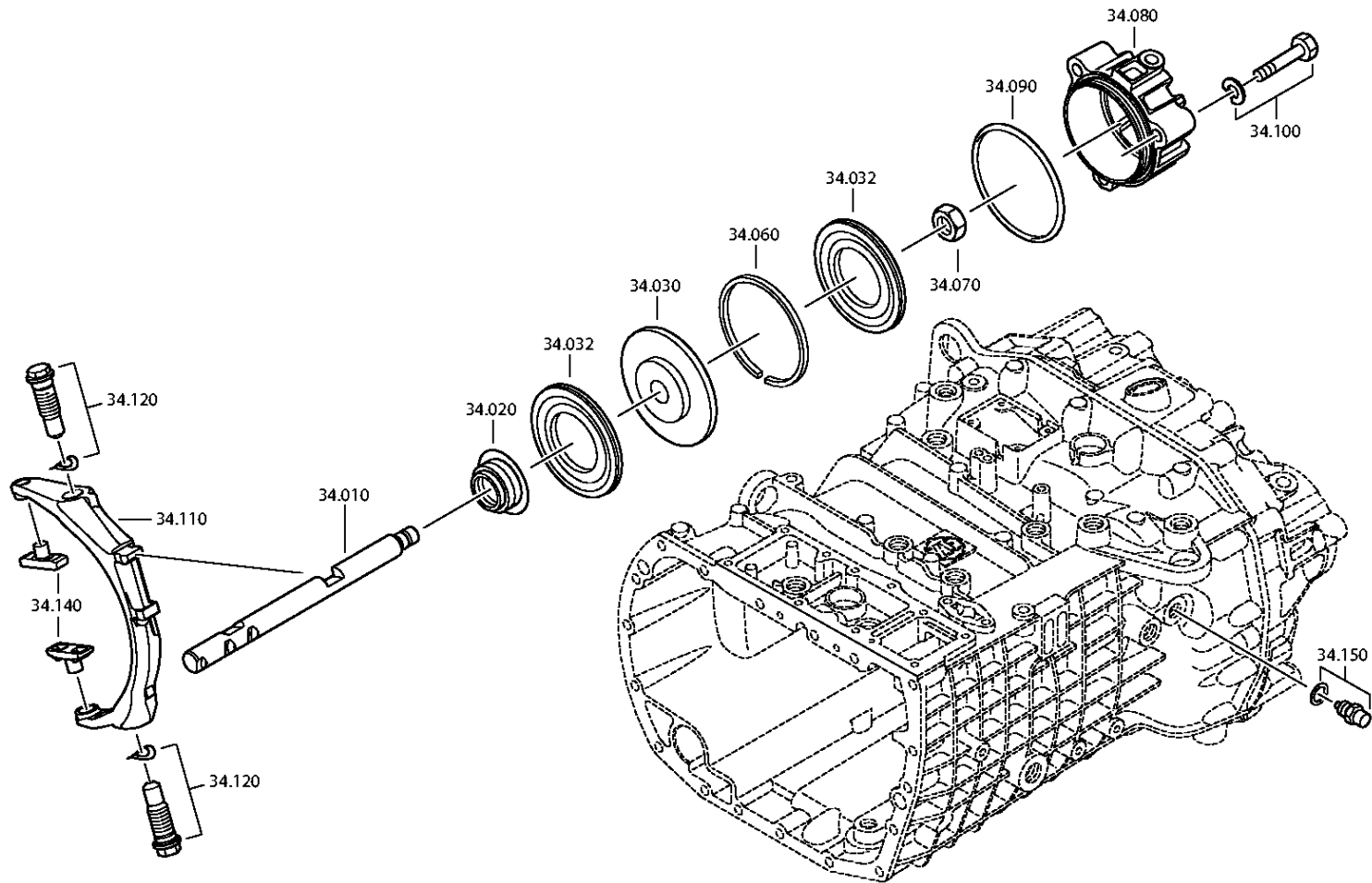
Pos.	Material number	Customer material	Name	Quantity	ME	Amend. no.	Techn. Info.	Weight	Rep kit	Alternative material
110	1304.233.006		CLUTCH BODY	1				0,000		
130	1313.333.001		SYNCHROBODY	1			ENTHALT.IN 1296 333 014(1)	0,000		
140	---		RETAINING RING	1			S= 3,70- 4,00( ABSTUFUNG:0,10MM)	0,000		
---	0630.501.061		RETAINING RING	1			125X4	0,100		
---	0630.501.173		RETAINING RING	1			125X3,9	0,000		
---	0630.501.174		RETAINING RING	1			125X3,8	0,000		
---	0630.501.175		RETAINING RING	1			125X3,7	0,000		
150	1296.333.045		SYNCHRORING	2				0,000		
160	1304.333.011		SLIDING SLEEVE	1			ENTHALT.IN 1304 333 013(0)	0,000		
170	1240.304.278		PRESSURE PIECE	9				0,000		
180	0732.040.385		COMPRSPRING	9				0,000		
190	0732.040.386		COMPRSPRING	9		C01007317F10		0,000		
200	1324.233.001		CLUTCH BODY	1				0,000		

# Plant

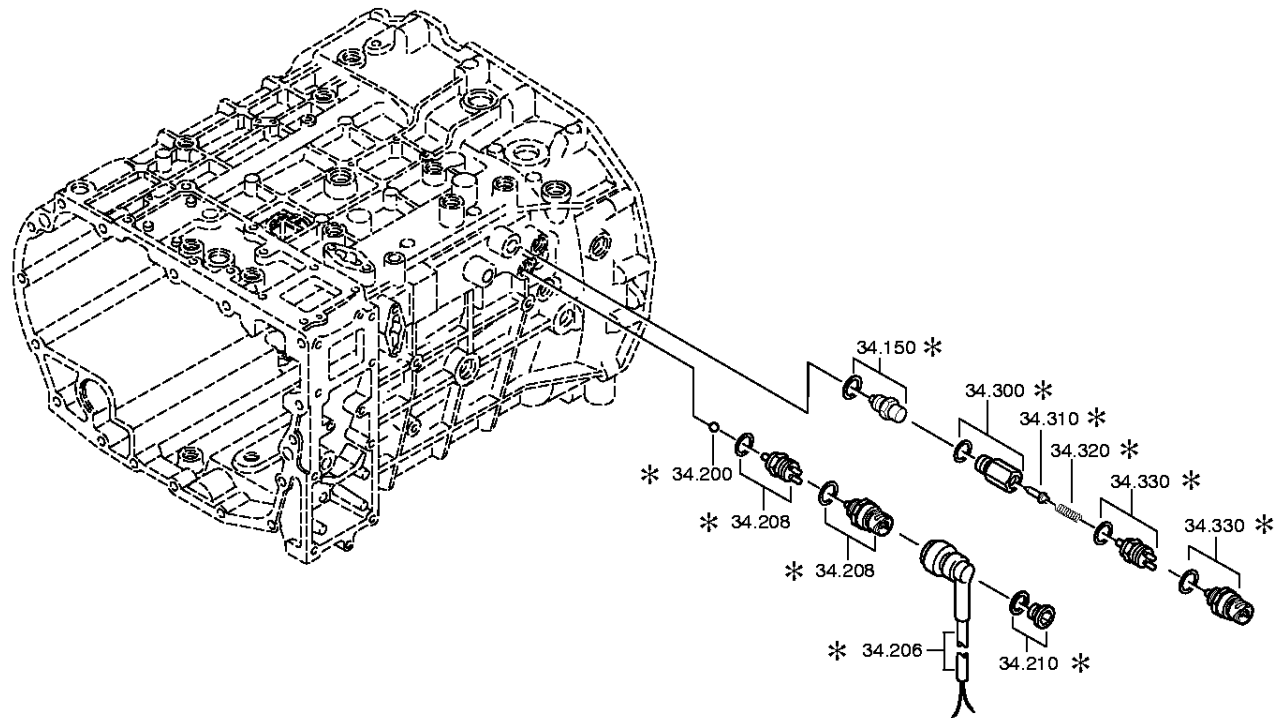
Page 1 from 2

Material number: 1324.002.027  
Plant: 062.46.09-1  
GP SHIFT SYSTEM

9 S 1110 TD / ASHOK-LEYLAND - CUMMINS  
GP SHIFT SYSTEM







# Parts list

Page 1 from 1

Material number: 1324.002.027

9 S 1110 TD / ASHOK-LEYLAND - CUMMINS

Plant: 062.46.09-1

Material-assembly-group-no: 1324.134.004



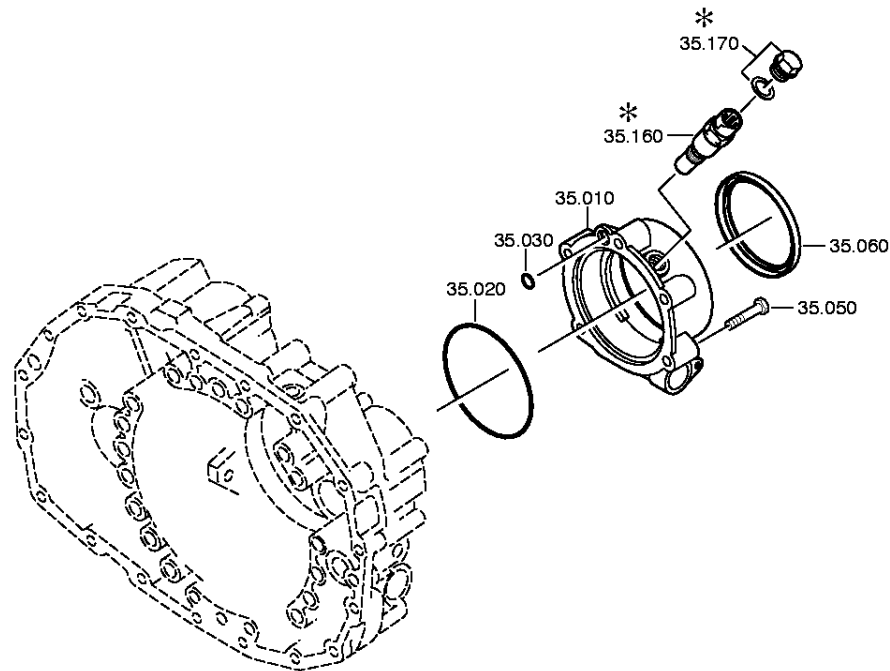
Pos.	Material number	Customer material	Name	Quantity	ME	Amend. no.	Techn. Info.	Weight	Rep kit	Alternative material
10	1324.334.004		GEAR SHIFT RAIL	1		C01004683E10	GP	0,000		
20	0750.112.047		FLANGE PACKING	1			22X36X14,5	0,000		
30	1315.334.041		PISTON	1			ENTHALT.IN 1315 334 040(2)	0,000		
32	0734.307.287		SEALING RING	2			50X100X7,5 FA.KACO	0,000		
60	0750.112.096		GUIDE RING	1			95X100X5,6	0,000		
70	0737.300.037		LOCKING NUT	1		Z00008929010	MS16X1,5	0,000		
80	1304.334.079		CYLINDER	1				0,000		
90	0634.313.338		O-RING	1			108X3	0,000		
100	0736.300.123		HEXAGON BOLT	3			M10X70 M10X70	0,000		
110	1304.334.063		GEAR SHIFT FORK	1				0,000		
120	---		ARTICULATION BOLT	2		Z00014011310	O.SCHEIBE	0,000		
---	1324.334.008		ARTICULATION BOLT	2		Z00014011311	M24X1,5	0,000		
140	1272.334.003		SLIDING PAD	2				0,000		
150	---		DETENT PLUNGER	1			145N*50N.M	0,000		
---	1324.207.035		DETENT PLUNGER	1			KPL. *145 N	0,000		
---	0730.008.604		SEALING RING	1				0,000		
200	0635.460.024		BALL	1			13	0,000		
208	---		SWITCH	1			SCHL*45N.M* DICHTRING* BAJONETT* SCHUTZKAPPE	0,000		
---	0501.210.058		SWITCH	1			KPL.	0,000		
---	0634.801.062		SEALING RING	1			18X24	0,001		
---	0700.300.427		PROTECTING CAP	1				0,005		

# Plant

Page 1 from 1

Material number: 1324.002.027  
Plant: 062.47.02-1  
SPEEDOMETER COVER

9 S 1110 TD / ASHOK-LEYLAND - CUMMINS  
SPEEDOMETER COVER



# Parts list

Page 1 from 1

Material number: 1324.002.027

9 S 1110 TD / ASHOK-LEYLAND - CUMMINS

Plant: 062.47.02-1

Material-assembly-group-no: 1304.135.010



Pos.	Material number	Customer material	Name	Quantity	ME	Amend. no.	Techn. Info.	Weight	Rep kit	Alternative material
10	1304.301.410		SPEEDOMETER COVER	1		Z00001502410		0,000		
20	0634.303.110		O-RING	1			138X3	3,900		
30	0634.316.181		O-RING	1			10X3	0,000		
50	0636.016.405		HEXAGON BOLT	5		Z00007060112	M10X60	0,000		
60	0734.319.459		SHAFT SEAL	1			105X125X12/9,5 FA.CFW	0,000		
170	---		SCREW PLUG	1		Z00010111513	35N.M*DICHTRING M18X1,5	0,000		
---	0636.100.791		SCREW PLUG	1		Z00010111521	M18X1,5	0,000		
---	0634.801.062		SEALING RING	1		Z00010111521	18X24	0,001		

# Plant

Page 1 from 1

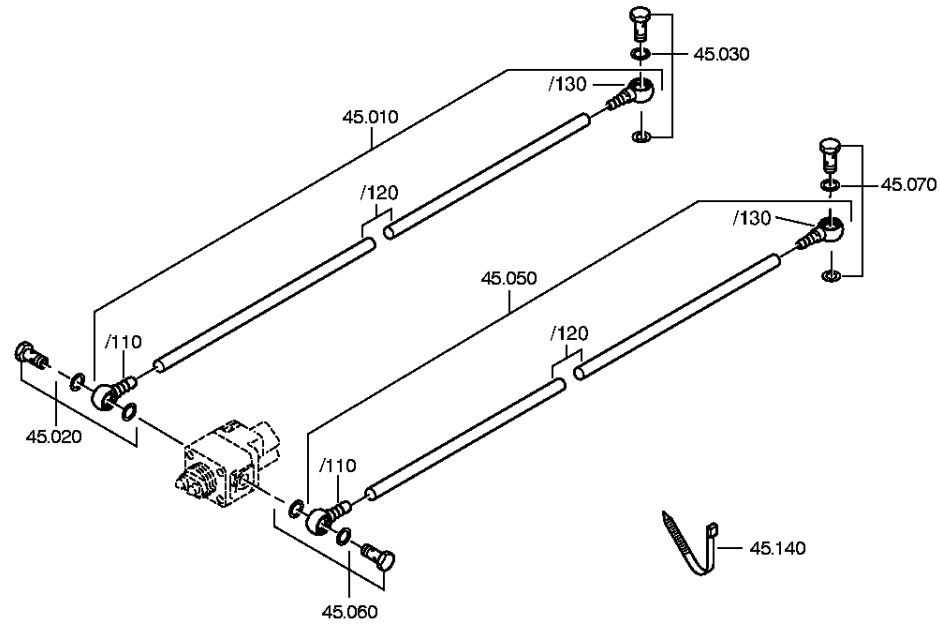
Material number: 1324.002.027

Plant: 062.57.02-1

Material-assembly-group-no: 1324.145.015

9 S 1110 TD / ASHOK-LEYLAND - CUMMINS

RANGE SELECTION



# Parts list

Page 1 from 1

Material number: 1324.002.027

Plant: 062.57.02-1

Material-assembly-group-no: 1324.145.015

9 S 1110 TD / ASHOK-LEYLAND - CUMMINS



Pos.	Material number	Customer material	Name	Quantity	ME	Amend. no.	Techn. Info.	Weight	Rep kit	Alternative material
10	6007.202.226		PIPE	1		Z00011016211	KPL.490MM* MONTAGE:STELLUNG A	0,000		
/110	0637.100.423		RING PIECE	1		Z00011016211		0,000		
/120	0632.702.470		PIPE	490		Z00011016211	8X1,5	0,000		
/130	0637.100.423		RING PIECE	1		Z00011016211		0,000		
20	---		UNION SCREW	1		Z00011016211	M14X1,5	0,000		
---	0737.300.061		UNION SCREW	1		Z00012473710	M14X1,5	0,000		
---	0634.801.217		SEALING RING	1		Z00010274513	14X20	0,000		
30	---		UNION SCREW	1		Z00011016211	M14X1,5	0,000		
---	0737.300.061		UNION SCREW	1		Z00012473710	M14X1,5	0,000		
---	0634.801.217		SEALING RING	1		Z00010274513	14X20	0,000		
50	6007.202.227		PIPE	1		Z00011016211	KPL.550MM* MONTAGE:STELLUNG A	0,000		
/110	0637.100.423		RING PIECE	1		Z00011016211		0,000		
/120	0632.702.470		PIPE	550		Z00011016211	8X1,5	0,000		
/130	0637.100.423		RING PIECE	1				0,000		
60	---		UNION SCREW	1		Z00011016211	M14X1,5	0,000		
---	0737.300.061		UNION SCREW	1		Z00012473710	M14X1,5	0,000		
---	0634.801.217		SEALING RING	1		Z00010274513	14X20	0,000		
70	---		UNION SCREW	1		Z00011016211	M14X1,5	0,000		
---	0737.300.061		UNION SCREW	1		Z00012473710	M14X1,5	0,000		
---	0634.801.217		SEALING RING	1		Z00010274513	14X20	0,000		
140	0659.160.068		CABLE CLIP	2		Z00011016211		0,000		
142	0659.100.242		DOWEL	1		Z00011016211		0,000		